

AUX

INSTALLATION & SERVICE MANUAL

R32 Split Type Wall Mounted
Air Conditioner

MODELS

J-Series
L-Series
Q-Series

- Please read this installation manual carefully and thoroughly before installing the unit.
- Take care of this manual for future reference.

AUX AIR CONDITIONER CO., LTD.

1166 North Mingguang Road, Jiangshan, Yinzhou, Ningbo, 315191 Zhejiang, China

Contents

Warning	1
Safety Precautions	2
Notices for Usage	4
Notices for Installation	5
Installation Diagram	6
Indoor Unit Installation	8
Outdoor Unit Installation	14
Testing and Inspection	16
Care and Cleaning	17
Troubleshooting	18
Maintenance Notice	19

Contenidos

Advertencia.....	21
Precauciones de seguridad	22
Avisos de Uso	24
Avisos para la Instalación.....	25
Diagrama de instalación.....	26
Instalación de La Unidad Interior.....	28
Instalación de La Unidad Exterior.....	34
Prueba e Inspección.....	36
Cuidado y Limpieza.....	37
Solución de problemas.....	38
Aviso de Mantenimiento.....	39

Note:

- *All the illustrations in this manual are for explanation purpose only.*
- *Your air conditioner may be slightly different. The actual shape shall prevail.*
- *They are subject to change without notice for future improvement.*

Warning







Note:

The Air conditioner with R32 refrigerant, if roughly treated, may cause serious harm to the human body or surrounding things.

- The room space and maximum refrigerant charge requirements are shown in the table on the right.
- If ice has formed on the unit, do not use means to accelerate the defrosting process other than those recommended by the manufacturer.
- Do not use any cleaners on the unit other than what's approved by the manufacturer.
- Do not pierce or burn air conditioner and ensure that the refrigerant pipeline is not damaged.
- The appliance must be stored in a room without continuously operating ignition sources (for example: open flames, an operating gas appliance or an operating electric heater).
- Notice that the refrigerant may be odorless.
- The storage of the air conditioner should be in a location that's able to prevent unintentional damage to the unit.
- Be sure to follow all local codes and safety requirements.

Room Space and Maximum Refrigerant Charge Requirements

Refrigerant Type	Allowable Refrigerant Charge Amount, (kg)	Min. Floor Area For Installation, (m ²)
R32	<1.84	7
	1.84~2.34	9
	2.341~2.84	10.5
	2.841~3.34	12.5
	3.341~3.84	14
	3.841~4.34	18

Symbol	Note	Explanation
	WARNING	This symbol shows that this appliance uses a flammable refrigerant. If the refrigerant is leaked and exposed to an external ignition source, there is a risk of fire. (For the AC with CE-MARKING & CB-MARKING, IEC 60335-2-40+A1:2016)
	WARNING	This symbol shows that this appliance uses a low burning velocity material.(Only for the AC with CB-MARKING,IEC60335-2-40:2022)
	WARNING	This symbol shows that this appliance uses a low burning velocity material.(Only for the AC with CB-MARKING,IEC60335-2-40:2018)
	CAUTION	This symbol shows that the operation manual should be read carefully.
	CAUTION	This symbol shows that a service personnel should be handling this equipment with reference to the installation manual.
	CAUTION	This symbol shows that information is available such as the operating manual or installation manual.

Safety Precautions

Incorrect installation or operation by not following these instructions may cause harm or damage to people, properties, etc. The seriousness is classified by the following indications:

⚠ WARNING

This symbol indicates the possibility of death or serious injury.

⚠ CAUTION

This symbol indicates the possibility of injury or damage to properties.

<td>Things you shouldn't do.</td> <td> <td>Follow the instructions.</td> </td>	Things you shouldn't do.	<td>Follow the instructions.</td>	Follow the instructions.
<td>Cut the power off.</td> <td> <td>Environmental notices.</td> </td>	Cut the power off.	<td>Environmental notices.</td>	Environmental notices.

⚠ WARNING

This appliance is not intended for use by persons (including children) with reduced physical, sensory or mental capabilities, or lack of experience and knowledge, unless they have been given supervision or instruction concerning use of the appliance by a person responsible for their safety. Children should be supervised to ensure that they do not play with the appliance. (Except for the AC with CE-MARKING)

This appliance can be used by children aged from 8 years and above and persons with reduced physical, sensory or mental capabilities or lack of experience and knowledge if they have been given supervision or instruction concerning use of the appliance in a safe way and understand the hazards involved. Children shall not play with the appliance. Cleaning and user maintenance shall not be made by children without supervision. (Only for the AC with CE-MARKING)

⚠ WARNING

- **Don't** connect the ground wire to the gas pipeline, water pipeline, lightning rod, or telephone earth wire.
- **Don't** pull the power cable. Pulling the power cable could result in damage to the unit and electrical shock.
- **Don't** cut off main power switch during operating or with wet hands. It may cause electric shock.
- **Don't** let the air conditioner blow against the heater appliance. Otherwise it will lead to incomplete combustion, thus causing poisoning.
- **Don't** let the remote control and the indoor unit watered or being too wet. Exposure to excessive moisture may cause damage to the unit and or electrical shock.
- **Don't** install the air conditioner in a place where there is flammable gas or liquid unless the distance is equal to or greater than 1m apart.
- **Don't** use any unapproved liquid or cleaning agent to clean the air conditioner.
- **Don't** attempt to repair the air conditioner by yourself. Incorrect repairs may cause fire or explosion. Contact a qualified service technician for all service requirement.
- **Don't** operate the air conditioner during a lightning storm. The power should be switched off to prevent danger or injury.
- **Don't** put hands or any objects into the air inlets or outlets. This may cause personal injury or damage to the unit.
- **Don't** block air inlet or air outlet. Otherwise, the cooling or heating capacity will be diminished, or cause the system to stop operating.

- **Please** mount the system on a secure surface to prevent the unit from falling and causing injury or damage.
- **The** appliances shall be installed in accordance with national wiring regulations.
- **An earth leakage** breaker with rated capacity must be installed to avoid possible electric shocks.
- **If** the supply cord is damaged, it must be replaced by the manufacturer, its service agent or similarly qualified persons in order to avoid a hazard.
- **Contact** a qualified service technician for all service requirements.
- **The** air conditioner must be grounded. Incomplete grounding may result in electric shocks.
- **Make sure** that the system has its own dedicated electrical circuit and that all electrical work is conducted by an individual that is certified or licensed to do such work in the state or region in which the insulation is taking place.
- **Ensure** the following objects are not under the indoor unit: Microwaves, ovens and other hot objects. Computers and other high electrostatic appliances. Electrical sockets. Items susceptible to water damage.
- **The** piping between indoor and outdoor unit shall not be reused, unless they can be properly flushed and re-flared.
- **The** specifications for electrical requirements are listed on the data plate of the unit.

⚠ WARNING

⚠ WARNING

- **Always** switch off the device and cut the power supply when the unit is not in use for long time so as to ensure safety.
- **Always** switch off the device and cut the power supply before performing any maintenance or cleaning. Otherwise, it may cause electric shock or damage.

Safety Precautions

WARNING



This product contains fluorinated greenhouse gases.

- **Refrigerant** leakage will contribute to climate change.
- **Never** tamper with the refrigerant system or attempt repair without proper training and compliance to local and national codes.
- **The** refrigerant in this system has a lower global warming potential (GWP) than a refrigerant with higher GWP, if leaked to the atmosphere. This appliance contains a refrigerant fluid with a GWP equal to [675]. This means that if 1kg of this refrigerant fluid would be leaked to the atmosphere, the impact on global warming would be [675] times higher than 1kg of CO₂, over a period of 100 years.

CAUTION



- **Don't** operate the system with windows or doors open. Doing so will limit the system effectiveness.
- **Don't** stand on the top of the outdoor unit or place heavy objects on it. This could cause personal injuries or damage to the unit.
- **Don't** use the system for other purposes, such as drying clothes, preserving foods, etc.
- **Don't** apply the cold air to the body for a long time. It will deteriorate your physical conditions and cause health problems.

CAUTION



- **Appropriate** adjustments of the setting temperature can prevent the waste of electricity.
- **If** your air conditioner is not fitted with a supply cord and a plug, an all-pole switch must be installed in the fixed wiring and the distance between contacts should be no less than 3.0 mm.
- **If** your air conditioner is permanently connected to the fixed wiring, a residual current device (RCD) having rated residual operating current not exceeding 30 mA should be installed in the fixed wiring.
- **The** power supply circuit should have leakage protector and air switch of which the capacity should be more than 1.5 times of the maximum current.
- **Regarding** the installation of the air conditioners, please refer to the below paragraphs in this manual.

WEEE WARNING

Meaning of crossed out wheeled dustbin:

Do not dispose of electrical appliances as unsorted municipal waste, use separate collection facilities.

Contact your local government for information regarding the collection systems available.

If electrical appliances are disposed of in landfills or dumps, hazardous substances can leak into the groundwater and get into the food chain, damaging your health and well-being.

When replacing old appliances with new ones, the retailer is legally obligated to take back your old appliance for disposals at least free of charge.



Notices for Usage

Operating Range

- Operating the unit outside the recommended temperature range may have an impact on the system performance. When the temperature is too high, the air conditioner may trip the circuit breaker causing the air conditioner to shut down. When the temperature is too low, the outdoor heat exchanger may generate excessive moisture, leading to water dripping from the unit.
- In long-term cooling or dehumidification with a relative humidity of above 80%, doors and windows should be closed to prevent the indoor unit from generating too much water and causing leaks.

Range	Indoor	Outdoor
Cooling	16°C~32°C	16°C~46°C
		16°C~55°C (For tropical areas)
		-15°C~52°C (For low temp. cooling models)
Heating (Heat pump models only)	0°C~32°C	-15°C~24°C
		-25°C~24°C (For auxiliary heating models)

Notes for Heating

- The fan of the indoor unit will not start immediately when the heating cycle has started. The unit will warm up and then start blowing air to avoid blowing out cool air.
- When it is cold and wet outside, the outdoor unit will develop frost over the heat exchanger which over time will cause the system to start the defrost function.
- During defrost, the air conditioner will stop heating for about 5-12 minutes.
- Vapor may come out from the outdoor unit during defrost. This is not a malfunction, but a result of fast defrost.
- Heating will resume after defrost is complete.

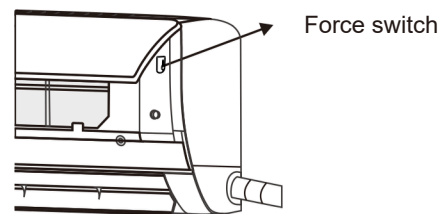
Notes for Turning Off

- When the air conditioner is turned off, the main controller will automatically decide whether to stop immediately or after running for dozens of seconds with lower frequency and lower air speed.

Emergency Operation

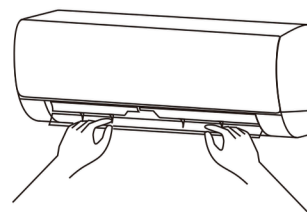
- If the remote controller is lost or broken, use force switch button to operate the air conditioner.
- If this button is pushed with the unit OFF, the air conditioner will operate in Mode: AUTO with a set temperature of 25 and Fan speed: AUTO.
- If this button is pushed with the unit ON, the air conditioner will stop running.

Only some models have force switches.



Airflow Direction Adjustment

- Use up-down swing and left-right swing buttons on the remote controller to adjust the airflow direction. Refer to the operation manual of the remote controller for details.
- For models without left-right swing function, the air vent has to be adjusted manually.



Note:

Adjust the air vents before the unit is in operation, or your finger might be injured. Never place your hand into the air inlet or outlet when the air conditioner is in operation.

Important Notices

- This unit must be installed by a certified contractor to avoid:
 - Damage to the unit .
 - Refrigerant leaking in the atmosphere.
 - Electrical shock.
 - Burns from refrigerant.
 - Other serious injuries including death.
- Leak test must be made after installation.
- To move and install air conditioner to another place, please contact our local authorized contractor.

Unpacking Inspections

- Open the box and check air conditioner in area with good ventilation and without ignition source.
- Note: Operators are required to wear anti-static devices.
- It is necessary to check whether there is refrigerant leakage before opening the box of outdoor machine; stop installing the air conditioner if leakage is found.
- The fire prevention equipment shall be prepared well before checking.
- Then check the refrigerant pipeline to see if there is any damage or leaks.

Safety Principles for Installing Air Conditioner

- Fire prevention device shall be prepared before installation.
- Keep installing site ventilated.(open the door and window)
- Ignition source, smoking and calling is not allowed to exist in area where R32 refrigerant located.
- Anti-static precautions in necessary for installing air conditioner, e.g. wear pure cotton clothes and gloves.
- Keep leak detector in working state during the installation.

Notices for Usage

- If R32 refrigerant leakage occurs during the installation, you shall immediately detect the concentration in indoor environment until it reaches a safe level.
- If refrigerant leakage affects the performance of the air conditioner, please immediately stop the operation, and the air conditioner must be vacuumed firstly and be returned to the maintenance station for processing.
- Keep electric appliance, power switch, plug, socket, high temperature heat source and high static away from the area underneath sidelines of the indoor unit.
- The air conditioner shall be installed in an accessible location for installation and maintenance, without obstacles that may block air inlets or outlets of indoor /outdoor units. It shall be kept away from heat source, inflammable or explosive conditions as well.
- When installing or repairing the air conditioner and the connecting line is not long enough, the entire connecting line shall be replaced with the connecting line of the original specification; extension is not allowed.

Requirements for Installation Position

- Avoid places of flammable or explosive gas leakage or where there is poor ventilation.
- Avoid places subject to strong electric/magnetic fields like microwaves and fluorescent lights.

- Avoid places like subject to noise and resonance like walls above a sleeping area.
- Avoid severe natural conditions (e.g. strong wind, direct sunshine or high temperature heat sources).
- Avoid places within the reach of children.
- Shorten the connection between the indoor and outdoor units as much as possible for best performance.
- Select a location where it is easy to perform service and repair.
- The outdoor unit shall not be installed in any way that could occupy an aisle, stairway, exit, fire escape, catwalk or any other public area.
- The outdoor unit shall be installed as far as possible from the doors and windows of the neighbors as well as plants.

Installation Environment Inspections

- Check nameplate of outdoor machine to make sure whether the refrigerant is R32.
- Check the floor space of the room. The space shall not be less than usable space in the specification.
- The outdoor unit shall be installed at a well-ventilated place.
- Check the surrounding environment of installation site: R32 shall not be installed in the enclosed reserved space of a building.
- When using electric drill to make holes in the wall, check first whether there is pre-buried pipeline for water, electricity and gas. It is suggested to use the reserved hole in the roof of the wall.

Notices for Installation

Requirements of the Mounting Structure

- The mounting rack must meet the relevant national or industrial standards
- It is recommended that the mounting rack and its load carry surface shall be able to withstand 4 times or above the weight of the unit.
- The mounting rack of the outdoor unit shall be fastened with expansion bolts or as recommended by the manufacturer.
- Ensure the secure installation regardless of what type of wall on which it is installed, to prevent potential dropping that could cause damage or injury.

Electrical Safety Requirements

- Be sure to use the correct rated voltage for the air conditioner and a dedicated circuit for the power supply,
- Follow local and national codes for the correct power cable AWG.
- The operating range is 90%-110% of the local rated voltage. Insufficient power supply causes malfunction, electrical shock, or fire. If the voltage instability occurs, install the voltage regulator.
- The minimum clearance between the air conditioner and the combustibles is 1.5m or greater.
- Use the correct wire size and type for connecting the indoor unit to the outdoor unit.
- The size of the interconnection cord, power cable, fuse, and switch needed is determined by the maximum current of unit.
- The maximum current is indicated on the nameplate located on the side panel of the unit. Refer to this nameplate to choose the right wire size, breaker, or switch.

Requirements for Operations at Raised Height

- When carrying out installation at 2m or higher above the base level, safety belts must be worn and ropes of sufficient strength must be securely fastened to the outdoor unit to prevent falling that could cause personal injury or death as well as property loss.

Grounding Requirements

- Be sure to properly ground the unit. Follow all local and national codes as applicable.
- Do not connect the grounding wire to a gas pipe, water pipe, lightning rod, telephone line, or a circuit poorly grounded to the earth.

for other purpose, nor shall it be fastened with a common tapping screw.

- Ensure that all electrical connects are securely fastened and connected to the correct terminals.
- Local and national electrical codes must be utilized.

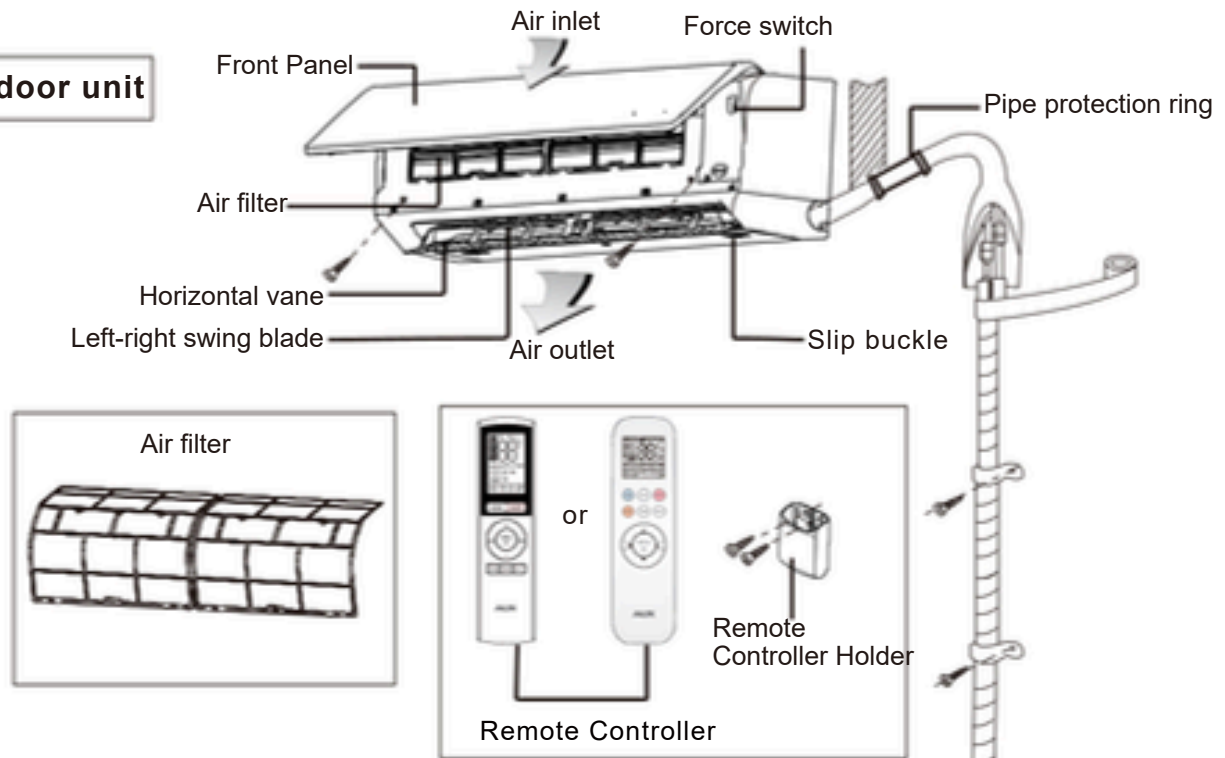
Others

- The connection method of the air conditioner and the power cable and the interconnection method of each independent element shall be subject to the wiring diagram affixed to the machine.
- The specifications of the fuse are printed on the circuit board, such as: 3.15A/250V AC, etc.

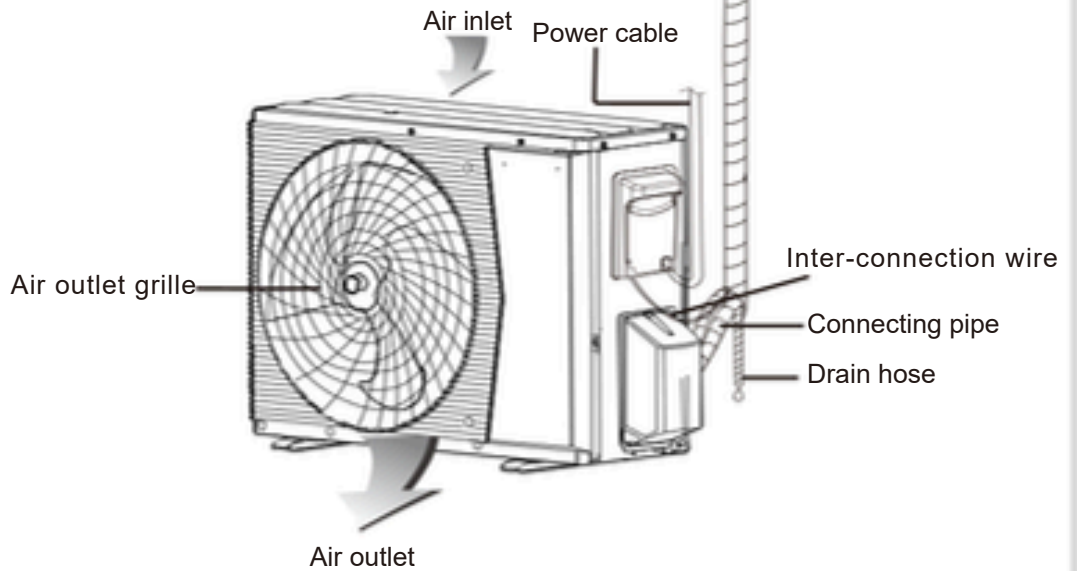
Installation Diagram

Unit Parts

Indoor unit



Outdoor unit



Note:

1. All the illustrations in this manual are for explanation purpose only.
2. Your air conditioner may be slightly different. The actual shape may vary.
3. They are subject to change without notice for future improvement.

Installation Diagram

Accessories

Read these **Safety Considerations** carefully before installing the drain pan heater.
After completing the installation, check if the unit operates properly during the start-up operation.

Packing list of the indoor unit

Name	Quantity	Unit
Indoor Unit	1	Set
Remote Controller(*)	1	PC
Batteries(7# X*)	2	PC
Instructions	1	Set
Drain pipe (*)	1	PC

Packing list of the outdoor unit

Name	Quantity	Unit
Outdoor Unit	1	Set
Connecting pipe(*)	2	PC
Plastic Strap(*)	1	ROLL
Pipe Protection Ring\)	1	PC
Luting (putty) (*)	1	PACKET

Note:

Optional parts(*), some models without.

Interconnection cord and sound deadening pads are optional accessories.

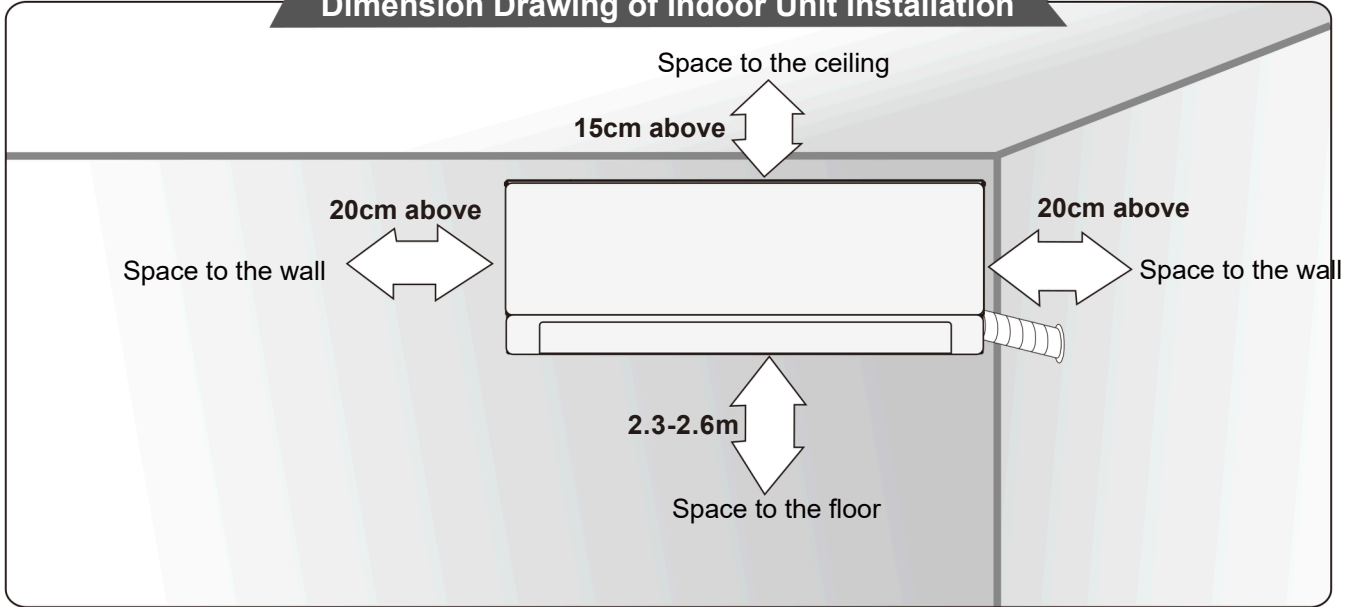
All accessories shall be subject to actual packaging material, and if there is any difference, please understand.

Tools Required

Phillips screwdriver	Flare tool
Utility knife or scissors	Safety glasses
Clamp on Amp Meter	Refrigerant scale
Hexagonal wrench	Wrench (or spanner)
Vacuum pump	Manifold and gauges
Level	Pipe cutter
Torque wrench	Work gloves
Hole saw	Safety belt

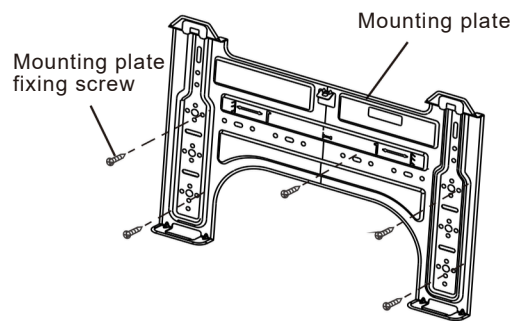
Indoor Unit Installation

Dimension Drawing of Indoor Unit Installation



Mounting Installation Plate

1. Ensure that the wall is strong enough to withstand the weight of the unit. Otherwise, it is necessary to reinforce the wall with plates, beams or pillars.
2. Use the "+" Phillips type screws in at least 5 suitable screws holes to fasten the plate to the wall.
3. Make sure the plate is horizontally level on the wall and there is enough room from the plate to the wall and ceiling to mount the unit.
4. Pull the mounting plate by hand after the installation, to confirm whether it is solid.
5. Use the installation dimensions to locate and punch holes (see figure)



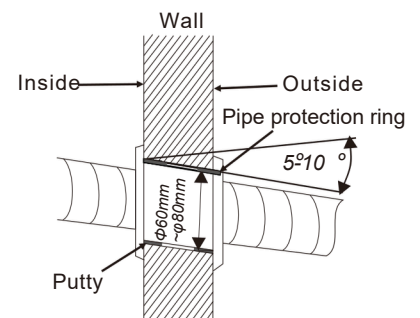
Wall-through Hole

1. Once a suitable location has been determined, drill hole with an outwardly slant of 5° - 10° to ensure proper drainage.
2. Be sure to protect the piping and cables from damaged while running through the wall by using a pipe protecting ring or other field supplied protective device.
3. Use the supplied putty to seal the piping penetration to prevent mold buildup, rodents, and cold/hot air from entering the space.

Note:

Usually, the wall hole is $\Phi 60\text{mm}$ ~ $\Phi 80\text{mm}$.

Avoid pre-buried power wire and hard wall when making the hole.



Indoor Unit Installation

Route of Pipeline

- 1.The refrigerant piping can be routed out of the indoor unit a number of ways. For left, right, or bottom routing, use the cut-out holes on the casing of the unit. Bend the pipes carefully to the required position in order to align it with the hole.
- 2.For back routing, be sure to drill the hole in the proper place according to the mounting bracket.
- 3.Wrap the inter-unit wire, refrigerant pipes, and drain hose together with insulation tape. (see Fig 1)

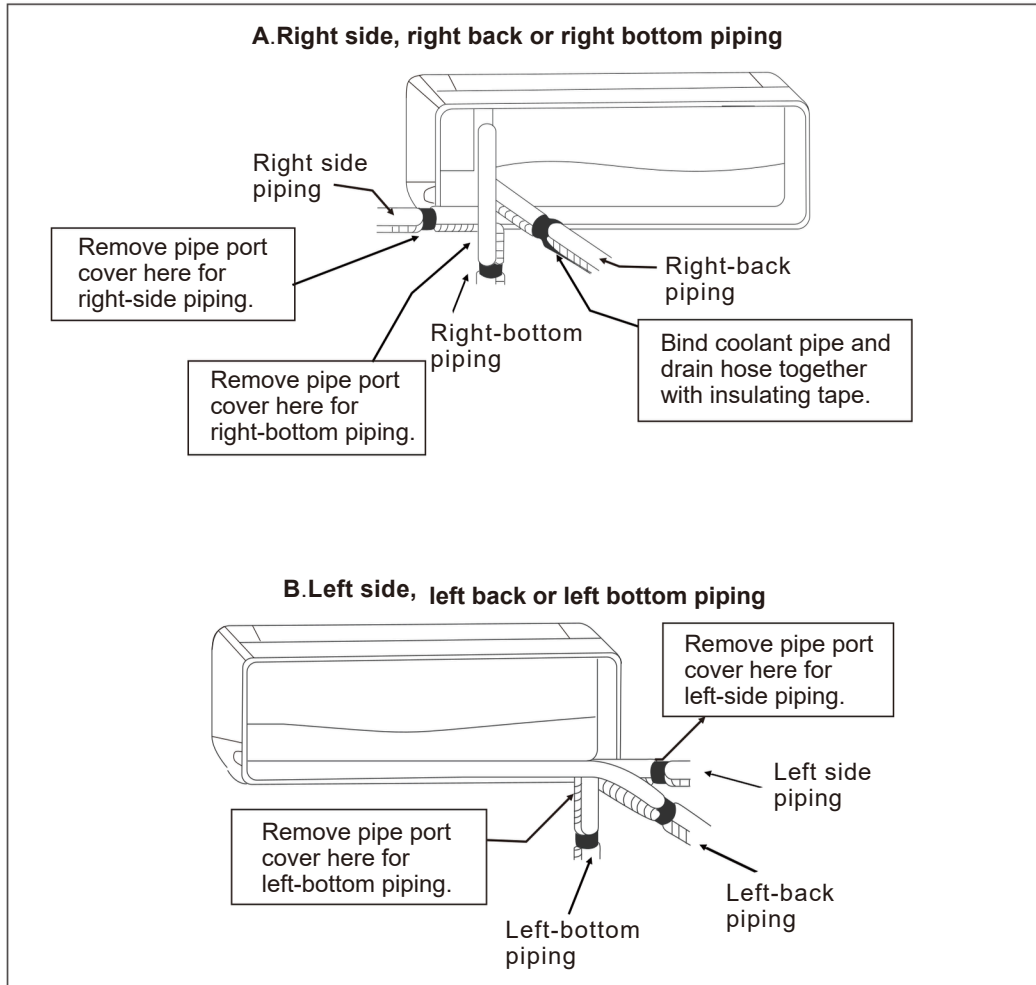


Fig 1

4. Bottom or side piping (see Fig 2)

- a. Cut off pipe port cover with a coping saw.
- b. Apply the blade of the coping saw to the notch, and cut off the pipe port cover along the uneven inner surface.
- c. After cutting off the pipe cover, use a file to smooth the edges.

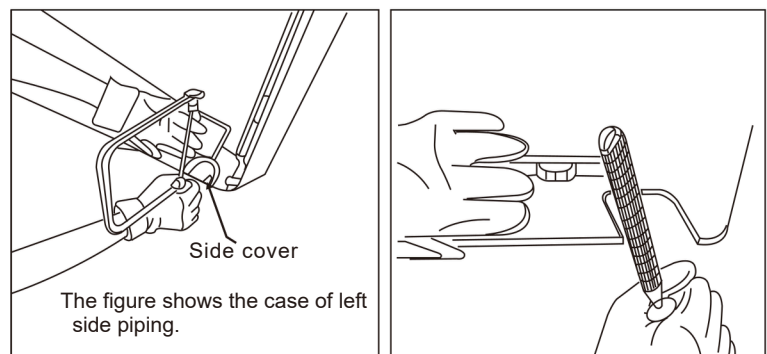


Fig 2

Note:

Bottom piping only applies to some units.

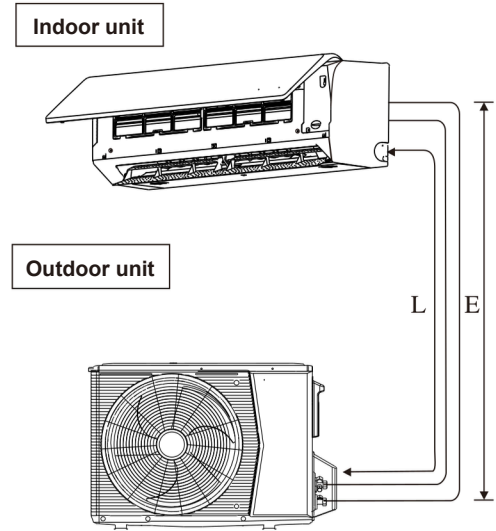
Indoor Unit Installation

Install the Refrigerant Piping

Allowable piping length

If the pipe is too long, both the capacity and reliability of the unit will drop. As the number of bends increases, resistance to the flow of refrigerant system increases, thus lowering cooling capacity. As a result, the compressor may become defective. Always choose the shortest path and follow the recommendations as tabulated below:

Model	Indoor	07/09	12	18	24	36
	outdoor	07/09	12	18	24	36
Min. Allowable Length (L), m	3		3			
Max. Allowable Length (L), m	20		30			
Max. Allowable Elevation (E), m	15		20			
Pipe Size, mm	9.52		12.70		15.88	
Liquid Pipe Size, mm	6.35		6.35			



Note:

- **Be sure to add the proper amount of additional refrigerant. Failure to do so may result in reduced performance. (See table on page 16 for additional refrigerant amounts)**
- **The refrigerant pre-charged in the outdoor unit is for piping lengths up to 7.6m.**

Piping works and flaring technique

- Do not use contaminated or damaged copper tubing. If the evaporator, condenser, or any piping has been opened and exposed to the atmosphere for 15 seconds or more, the system must be vacuumed. Do not remove plastic plugs or brass nuts from piping connections until the connections are ready to be made.
- If any brazing work is required, ensure that a nitrogen gas purge is utilized to prevent soot formation on the inside wall of copper tubing. Failure to do so may cause damage to the unit and void warranty.
- Cut the pipe as straight as possible (See Fig 1.). Make sure to use a deburring tool to remove any burrs. Hold the pipe with opening facing down to prevent metal chips from entering the pipe (See Fig2.).

Fig 1.

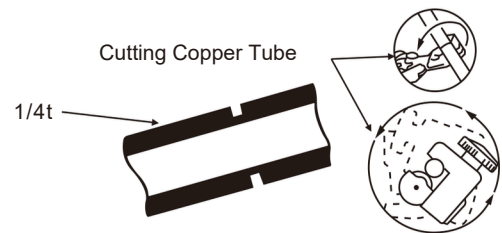
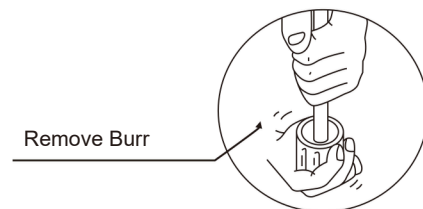


Fig 2.

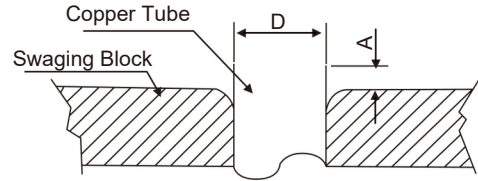


Indoor Unit Installation

Install the Refrigerant Piping

- This will avoid unevenness on the flare faces which will cause gas leak.
- Insert the flare nuts, mounted on the connection parts of both the indoor unit and outdoor unit, into the copper pipes.
- The exact length of pipe protruding from the top surface of the swaging block is determined by the flaring tool. See Fig 3.
- Fix the pipe firmly on the swaging block. Match the centers of both the swaging block and the flaring punch, then tighten the flaring punch fully.
- The refrigerant pipe connection are insulated by closed cell polyurethane.

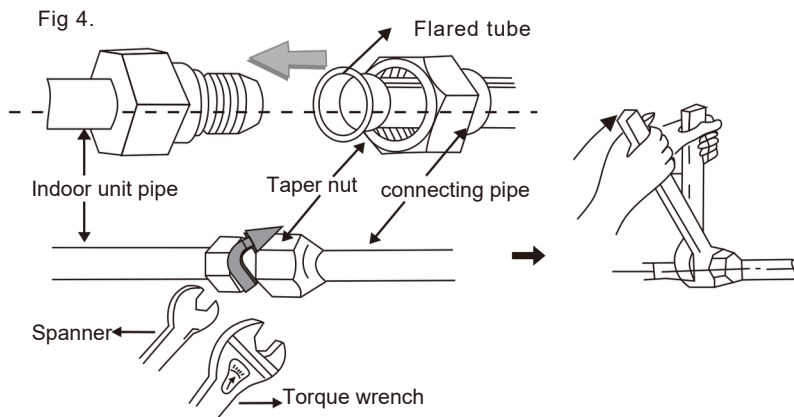
Fig 3.



Install the connection pipe

1. Apply a slight amount of POE oil to the inside of the flare to prevent binding.
2. Align the center of the piping and tighten the flare nut sufficiently with fingers. See Fig 4.
3. Adjust the torque wrench to the proper torque settings according to the table. Finally, tighten the flare nut with torque wrench until the wrench clicks. When tightening the flare nut with the torque wrench, ensure that the tightening direction follows the arrow indicated on the wrench.

Ø Tube, D mm	A(mm)	
	Imperial (Wing-nut Type)	Rigid (Clutch Type)
6.35	1.3	0.7
9.52	1.6	1.0
12.70	1.9	1.3
15.88	2.2	1.7
19.05	2.5	2.0



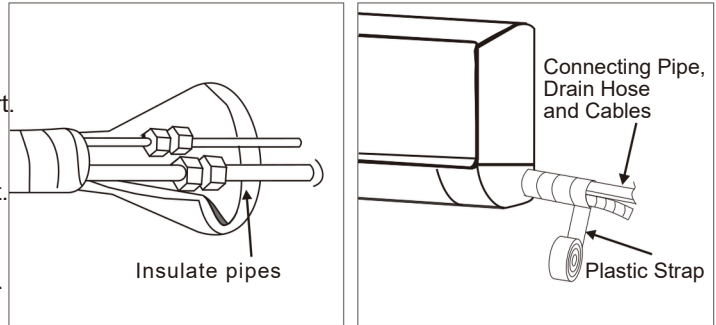
Tightening torque table

The size of pipe ,mm	Torque,N·m
Ø 6.35	15-25
Ø 9.52	35-40
Ø 12.7	45-60
Ø 15.88	73-78
Ø 19.05	75-80

Indoor Unit Installation

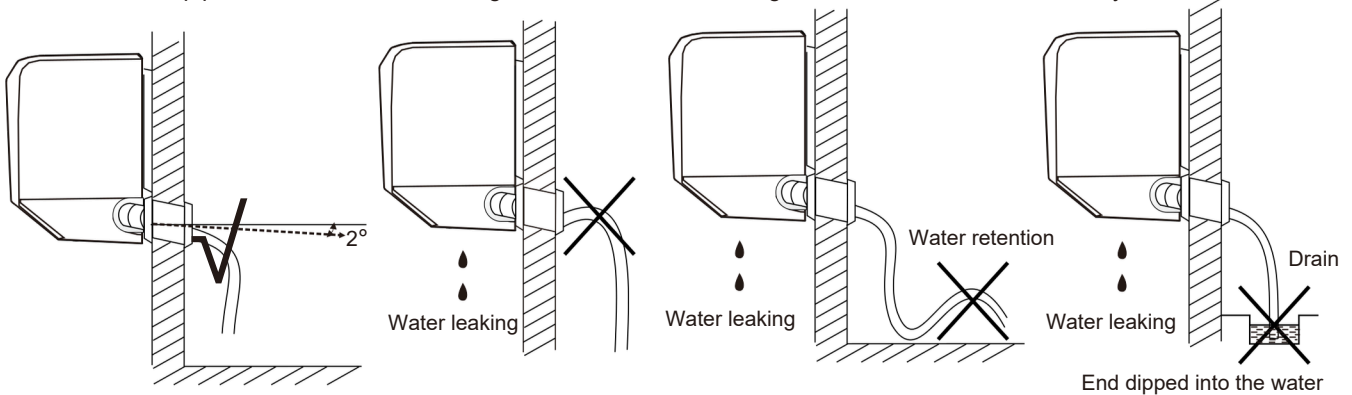
Wrap the Piping

1. Use the insulation sleeve to wrap the joint part and the indoor unit and the connection pipe. Then use insulating material to pack and seal insulation pipe to prevent generation of condensate water on the joint part.
2. Connect the water outlet with drain pipes, and make the connection pipe, cables, and the drain hose straight.
3. Use plastic cable ties to wrap the connecting pipes, cables and drain hose. Run the pipe sloping downward.



Water Drainage Piping

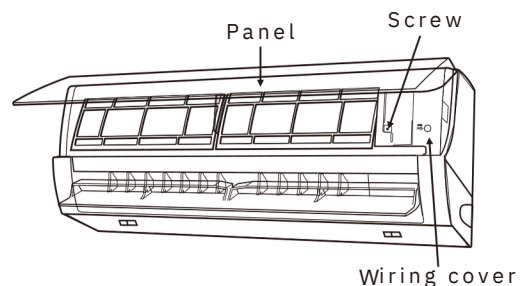
The indoor drain pipe must be in a downward gradient for smooth drainage. Avoid situations that are likely to cause water to leak.



Electrical Wiring Connection

Connect interconnection wire of the indoor unit

1. Open the front panel of the unit and remove the screw on the wiring cover to access the unit wiring terminals.
2. Pull the wire through the cable-cross hole at the back of the indoor unit and then pull it out from the front side of the unit with enough length to make the connections.
3. Remove the wire clip; connect the interconnection wires to the correct terminals according to the wiring diagram;
4. The power cable may be routed separately from the piping. Cut off the outlet cutting stock and then run the power cable through the hole, keeping the remaining part as a protection from rodents.
5. Tighten the screw, and then fix the interconnection wire with wire clip.
6. Put wiring cover back and then tighten the screw.
7. Close the front panel.



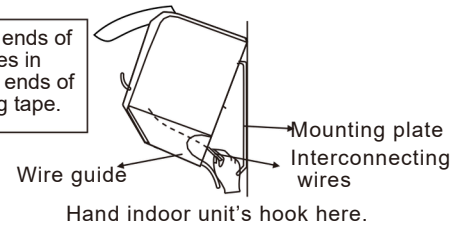
Indoor Unit Installation

Electrical Wiring Connection

Note:

- This manual usually includes the wiring mode for the different kinds of air conditioners. We cannot exclude the possibility that some special type of wiring diagrams are not included.
- The diagram are for reference only. If the entity is different with this wiring diagram, please refer to the detailed wiring diagram adhered on the unit which you purchased.

When stripping the ends of interconnecting wires in advance, bind right ends of wires with insulating tape.

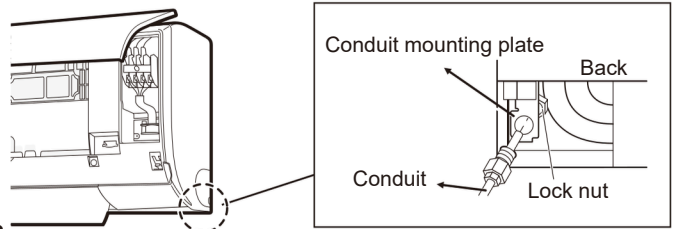


After installation check

1. Make sure that the screws are tight and there is no risk of the wiring coming loose.
2. Verify that all wiring is tucked into unit nicely and there is no risk of wires being smashed by cover or touching the control board.
3. Inspect control box cover to verify proper installation.

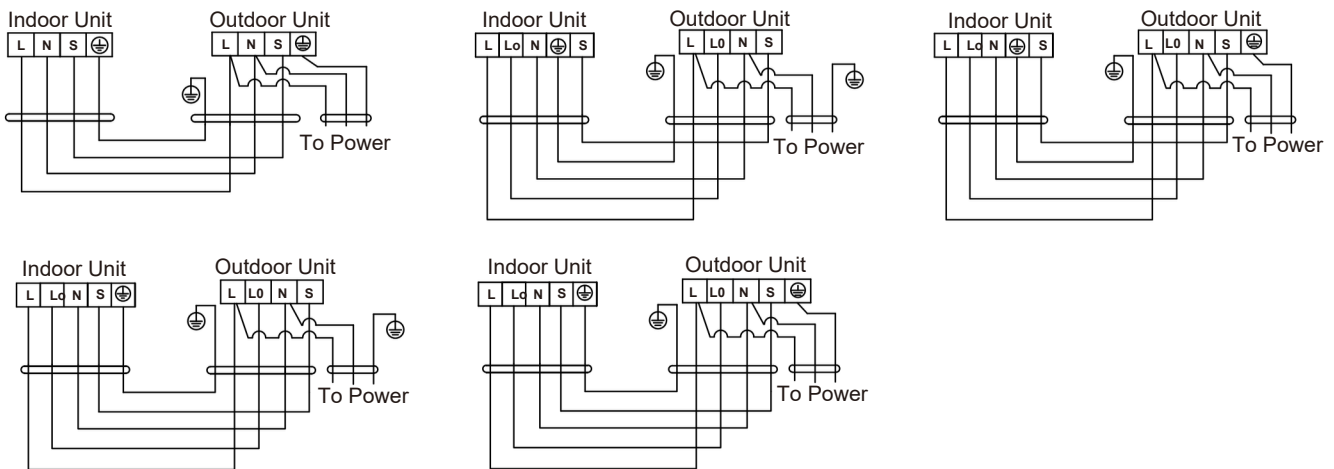
Note:

- Take care to ensure that all wiring between indoor unit and outdoor unit has a consistent connection. Any splice or break can cause communication errors and failure to start.
- Entire PCB replacement required if fuse failure occurs.

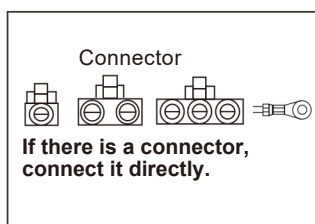
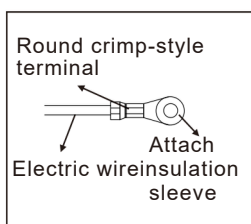


All wires must be firmly connected.

1. Make sure that none of the wirings is grounded to piping or compressor.
 - Make sure no external pressure is applied to the terminal connectors and wires. Make sure all the covers are properly fixed to avoid any gaps.
 - Use round crimp-style terminal connectors for connecting wires to the power supply terminal block.
 - Connect the wires by matching the indication marks on the terminal block. (Refer to the wiring diagram attached on the unit).
2. Use the correct screwdriver for tightening the terminal screws.
 - Unsuitable screwdrivers can damage the screw head. Over tightening can damage the terminal screws.
3. Do not connect wires of different gauge to the same terminal.
4. Keep wiring in an orderly manner.
5. Prevent the wiring from obstructing other parts and the terminal box cover from closing.



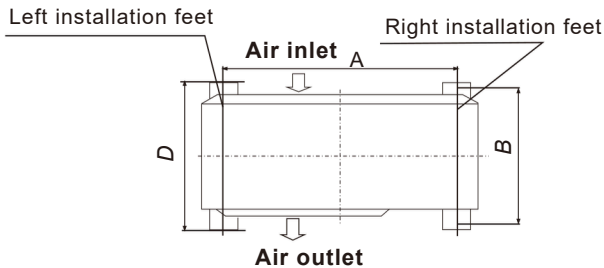
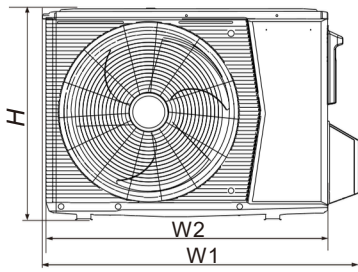
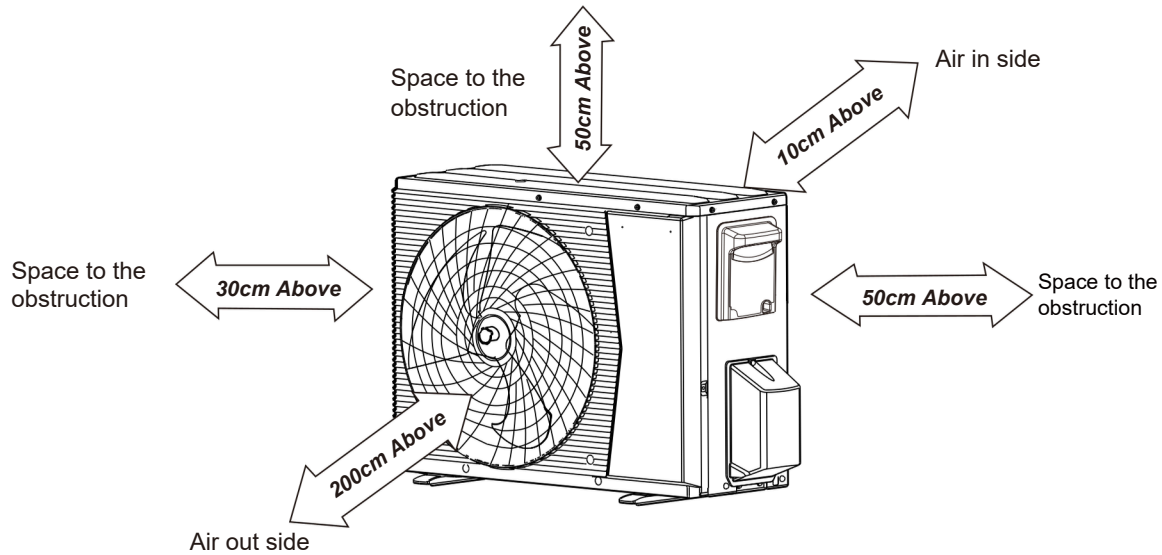
Recommended Wire Model



Maximum current (A)	Wire diameter(mm ²)
< 10	1.0
10-16	1.5
16-25	2.5
25-32	4.0

Outdoor Unit Installation

Dimension Drawing of Outdoor Unit Installation



Installation outdoor unit bolt

Outdoor Unit Size of Shape W1 (W2)*H*D), mm	A, mm	B, mm
730(651)×456×278	480	253
805(712)×538×309	480	283
880(787)×557×353	546	316
913(827)×657×370	540	334
980(897)×700×388	632	352
1049(975)×803×455	675	390

Where you install the outdoor unit will have a direct affect upon its performance.

In order for the outdoor unit to operate at its best you should carefully follow these instructions. In particular its important to prevent discharge air to return to the rear of the unit. This should be avoided as this will significantly reduce the cooling and heating performance.

1. The discharge air which is expelled from the front of the unit should not be allowed to immediately enter the return inlet of the back of the unit.
2. Ensure there is ample space in front of the unit will help prevent this from happening.
3. Ensure the unit is installed on a level surface and that there is plenty of room to service the equipment. Do not allow a slope of more than 5°.

The following figures show the right installation and wrong installation :

Wrong installation			
Right installation			

Outdoor Unit Installation

Installation Guide at the Seaside

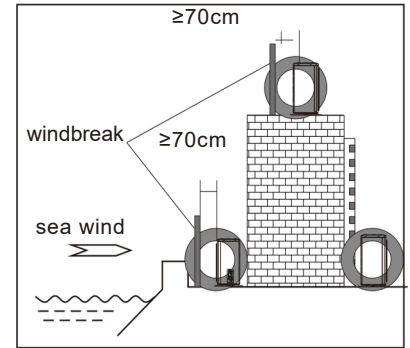
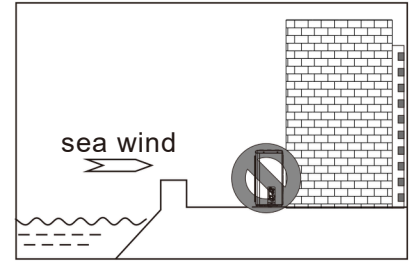
- Air conditioners should not be installed in areas where corrosive gases, such as acid alkaline gas, are produced.
- Do not install the product where it could be exposed to direct salt air. Sea air exposure can result in corrosion on the unit. Corrosion, particularly on the condenser and evaporator fins, could cause product malfunction, inefficient performance, and refrigerant leaks.
- If the outdoor unit is installed close to the seaside, it should avoid direct exposure to the sea wind. Otherwise, it may need additional anti corrosion treatment.

Selecting the correct location (outdoor unit)

1. The windbreak should be strong enough like concrete to prevent the sea wind from hitting the unit. The height and width should be more than 150% of the outdoor unit.
2. Select a well-drained place. Install the outdoor unit on the opposite side of the direction of the sea wind, or set up a windbreak to avoid exposed to the sea wind. Seaside applications will require more frequent maintenance checks and cleaning. Be sure to keep the system free of salt build up by washing the unit with clean water at low pressure.
3. The unit should be kept more than 70cm from the windbreak for easy air flow.

Note:

- The mounting rack of the outdoor unit shall be fastened with expansion bolts or as the manufacture recommends.
- If installing on a wall, ensure the secure installation regardless of the type of to prevent potential dropping that could damage the unit or cause injury.

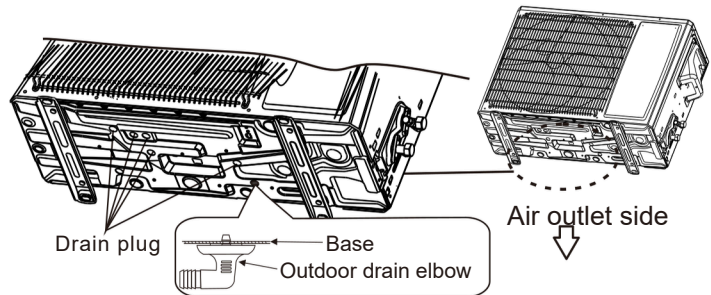


Outdoor Condensation Drainage(Heat pump type only)

When the unit is in heating mode, the outdoor unit can generate water that will drip from the bottom of the unit. To control the flow of that water, please use the provided drain elbow.

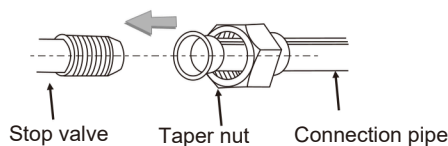
Installation:

1. Install the drain elbow in the $\Phi 25\text{mm}$ hole on the bottom of the base plate, and connect the drain hose to the elbow. Route the hose to a location so that the water formed in the outdoor unit can be drained out to a proper location.
2. In cold areas, do not use a the drain elbow or drain plugs on the outdoor unit. Plugging the holes will cause ice to buildup in the base pan which could result in damage to the unit. In cold climates, make sure the unit has plenty of space to drain and avoid snow drifts.



Install the Connection Pipe

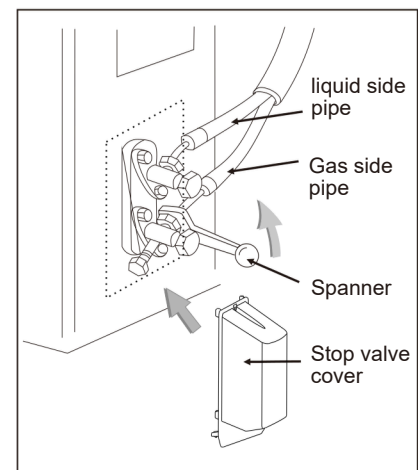
Additional refrigerant may be required based on the length of the refrigerant pipe to ensure proper performance and prevent damage to the unit. The chart below shows the requirements of refrigerant needed based of the piping length.



Length of connection pipe	Added or reduced refrigerant		Amount of refrigerant for the unit
	CC	u	
<3M	CC \leq 12000Bt	reduce 20g/m	\leq 1Kg
	u	reduce 40g/m	\leq 2Kg
3-5M	CC \geq 18000Bt	Not needed	
5-15M	CC \leq 12000Bt	add 16g/m	\leq 1Kg
	u	add 24g/m	\leq 2Kg

Note:

1. The flares shall not be reused. It is important to always re-flare pipes upon their removal and reinstallation.
2. After installation, check the stop valve cover for proper installation.



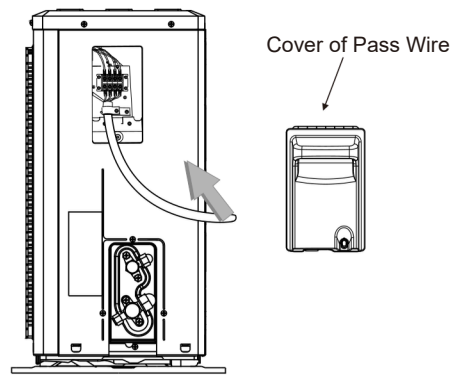
Outdoor Unit Installation

Wiring Connection

1. Loosen the screws and remove the E-parts cover from the unit.
2. Connect the cables respectively to the corresponding terminals of the terminal board of the outdoor unit (see the wiring diagram), using ring connectors.
3. Ground wire: Remove the grounding screw out of the electric bracket, connect the grounding wire end onto the grounding screw and screw it into the grounding hole.
4. Fix the cable securely with ring connectors
5. Put the E-parts cover back in its original place and fasten it with screws.

Note:

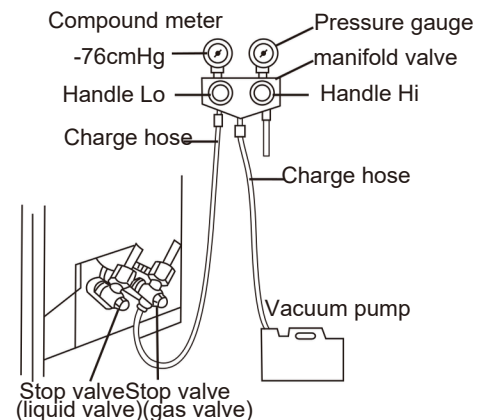
- This manual usually includes the wiring mode for the different kind of air conditioner. We cannot exclude the possibility that some special types of wiring diagrams are not included.
- The diagrams are for reference only. Please refer to the detailed wiring diagram adhered on the unit which you purchased.



Vacuuming

The refrigerant of R32 model must be evacuated (R410A vacuum pump can be used). Before working on the air conditioner, remove the cover of the stop valve (gas and liquid valves, be sure to re-tighten it afterward to prevent the potential air leakage).

1. To prevent air leakage, make sure all flares are properly connected and torqued.
2. Connect the stop valve, charge hose, manifold valve, and vacuum pump to the unit.
3. Fully open the handle of the manifold valve and apply vacuum for at least 15 minutes and check that the compound vacuum gauge reads $-0.1\text{MPa}(-76\text{cmHg})$.
4. After applying vacuum, fully open the stop valve with a hex wrench.
5. Check that both indoor and outdoor connections are free of air leakage.



Testing and Inspection

Check after Installation

• Electrical safety check

1. If the supply voltage is within tolerance.
2. If the indoor and outdoor units are properly wired.
3. If the grounding wire of the air conditioner is securely grounded.

• Installation safety check

1. If the unit is mounted properly and securely.
2. If the water drains smoothly from indoor unit to outdoor drain.
3. If the wiring and piping are correctly installed and free of leaks.
4. Check that no foreign matter or tools are left inside the unit.
5. Check the refrigerant pipeline and connections are properly insulated.

• Leak test of the refrigerant

Depending on the installation method, the following methods may be used to check for suspect leak, on areas such as the connections of the outdoor unit and the cores of the cut-off valves and t-valves:

1. Bubble method: Apply of spray a uniform layer of soap water over the suspected leak spot and observe carefully for bubble.
2. Instrument method: Checking for leak by pointing the probe of the leak detector according to the instruction to the suspect points of leak.

Note:

Make sure that the ventilation is good before checking.

Test Operation

• Test operation preparation:

1. Verify that all piping and wiring is properly connected.
2. Confirm that the valve at the gas side and the liquid-side are fully open.
3. Verify that power is turned on to the unit.
4. Install batteries in the remote control.

Note:

Make sure that the ventilation is good before testing.

• Test operation method:

1. Turn on the power and push the ON/OFF switch button of the remote controller to start the air conditioner.
2. Select COOL or HEAT, adjust the SWING and other operation modes with the remote controller to verify proper operation.

• Attention:

1. For maintenance or scrap, please contact authorized service contractors.
2. Maintenance by unqualified person may cause injury or death.
3. Charge the air conditioner with R32 refrigerant, and maintain the air conditioner in strict accordance with manufacturer's requirements. The chapter is mainly focused on special maintenance requirements for appliance with R32 refrigerant.
4. Ask repairer to read after-sales technical service handbook for detailed information.

Care and Cleaning

⚠ WARNING



- Do not expose electrical connections or electronics to moisture which can cause an electric shock.

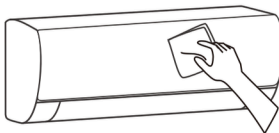
⚠ WARNING



- Before cleaning the air conditioner, the unit must be shut down and the electricity must be cut off for more than 5 minutes, otherwise there might be the risk of electric shock.
- Volatile liquids such as thinner or gasoline will damage the air conditioner, therefore only clean the housing of air conditioner with soft dry cloth or a cloth that is slightly dampened with water.
- Make sure to check filters regularly to prevent the accumulation of dust which may affect the air conditioner performance. If the unit is installed in an environment that has more dust, the number of cleanings will need to increase. After removing the filter, do not touch the fin part of the indoor unit with your fingers as it may result in damage to the unit or injury.

Clean the Panel

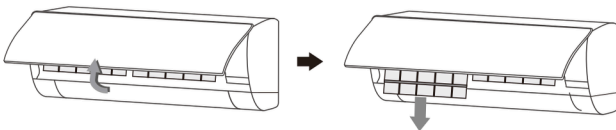
When the panel of the indoor unit is dirty, clean it with soft dry cloth or a cloth that is slightly dampened with water.



Clean the Air Filter

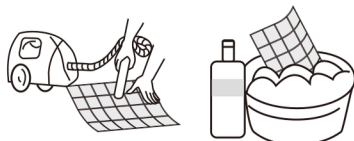
• Remove the air filter

1. Use both hands to open the front panel to gain access to the filters.
2. Gently release the air filter from the slot and remove.



• Clean the air filter

Use a vacuum cleaner or water to rinse the filter. If the filter is very dirty (for example, with greasy dirt), clean it with warm water (below 45 °C) with mild detergent. Put the filter in the shade to dry in the air.



• Clean or replacement the health filter screen

1. Cleaning: you can clean with the Air Filter;
2. Replacement: remove the filter from the filter frame and attach a new one.

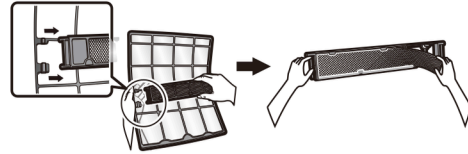
Note:

Do not throw away the filter frame.

Reuse the filter frame when replacing the health filter screen.

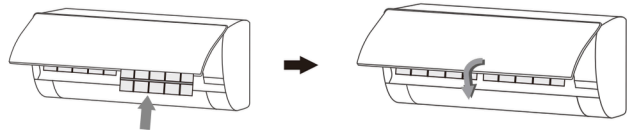
When attaching the filter, check that the filter is properly set in the tabs.

Dispose of the old filter as non-flammable waste.



• Mount the filter

Reinstall the dried filter in reverse order of removal, then gently close the front cover and lock the panel.



Check before Using

- Make sure that all the air inlets and outlets of the units are unblocked.
 - Check whether the indoor unit drains properly.
 - Check the ground wire is securely grounded.
 - Check whether the remote-control batteries are installed and in proper operating condition.
 - Very that the outdoor unit is securely mounted and free from damage.
- If any issue exists, please contact our local contractor for inspection.**

Maintain after Using

1. Turn off the power source of the air conditioner at the outdoor unit.
2. Clean the indoor unit panel and filter.
3. Remove the dust and debris from the outdoor unit.
4. Very that the outdoor unit is securely mounted and free from damage.

If any issue exists, please contact our local contractor for inspection.

Troubleshooting

Ineffective operation

The air conditioner does not work.



- There might be power outages. → Wait until power is restored.
- Power plug may be loose out from the socket. → The plug in the plug tightly.
- Power switch fuse may blow. → Replace the fuse.
- The time for timing boot is yet to come. → Wait or cancel the timer settings.

The air conditioner can't run after the immediate start-up after it is shut down.



- If the air conditioner is turned on immediately after it is turned off, the protective delay switch will delay the operation for 3 to 5 minutes.

The air conditioner stops running after it starts up for a while.



- May have reached the setting temperature. → It is a normal function phenomenon.
- May be at a defrosting state. → It will automatically restore and run again after defrosting.
- Shutdown Timer may be set. → If you continue to use, please turn it on again.

The air blows out of the indoor unit, but the air is not being cooled or heated.



- Excessive accumulation of dust on filter, blocking the air inlet or outlet. → Please clean the filter, remove the obstacles at the air inlet
- The louver blades are at an excessively angle limiting airflow. → Please adjust the louvers to pointing straight.
- Poor cooling and heating effect caused by doors and windows opening, and unclosed exhaust fan. → Please close the doors, windows, the exhaust fan, etc.
- Auxiliary heating function is not turned on while heating, which may lead to poor heating effect. → Turn on the auxiliary heating function. (only for models with auxiliary heating function)
- Mode setting is incorrect, and the temperature and wind speed settings are improper. → Please re-select the mode, and set the appropriate temperature and wind speed.

Abnormal smell and sound

The indoor unit blows out odor.



- The air conditioner itself does not have undesirable odor. If there is odor, it may be due to accumulation of the odor in the environment. → Clean the air filter or activate the cleaning function.

There is sound of running water during operation of the system.



- When the air conditioner is started up or stopped the system can make a "hissing" sound that might sound like running water. → This is the sound of the flow of the refrigerant and not a malfunction.

A slight "click" sound is heard at the of start-up or shut-down.



- Due to temperature changes, panel and other parts will swell, causing the sound of friction. → This is normal, not a fault.

The indoor unit makes abnormal sound.



- The sound of fan or compressor relay switched on or off.
- When the defrosting is started or stop running, it will create sound. → That is due to the refrigerant flows to reverse direction. They are not malfunctions.
- Too much dust accumulation on the air filter of the indoor unit may result in fluctuation of the sound. → Clean the air filters in time.
- Too much air noise when "Strong wind" is turned on. → This is normal, if feeling uncomfortable, please deactivate the "Strong wind" function.

Abnormal moisture

There are water drops over the surface of the indoor unit.



- When ambient humidity is high, water drops will be accumulated around the air outlet or the panel, etc. → This is a normal physics phenomenon.
- Prolonged cooling run in open space produces water drops. → Close the doors and windows.
- Too small opening angle of the louver blades may also result in water drops at the air inlet. → Increase the angle of the louver blades.

During the cooling operation, the indoor unit outlet sometimes will blow out mist.



- When the indoor temperature and humidity are high, it happens sometimes. → This is because the indoor air is cooled rapidly. After it runs for some time, the indoor temperature and humidity will be reduced and the mist will disappear.

Immediately stop all operations and cut off the power supply, contact our Service center locally in following situations.

- Hear any harsh sound or smell any awful odor during running.
- Abnormal heating of power cable and plug occurs.
- The unit or remote controller has been exposed to excessive amounts of water.
- Circuit breaker continuously trips.

Troubleshooting

Troubleshooting

Troubleshooting

Maintenance Notice

Attention:

For maintenance or scrap, please contact a authorized contractor.

Maintenance by unqualified person may cause injury or damage to the unit.

Charge air conditioner with R32 refrigerant only, and maintain the air conditioner in a strict accordance with the manufacturer's requirements.

Qualification Requirements of Maintenance Personnel

1. Special training is required to work on equipment with A2L refrigerants. Only rely on qualified contractors to install, service, and repair this system.
2. The maintenance and repair of the air conditioner must be conducted according to the method recommended by the manufacturer.

If other professionals are needed to help maintain and repair the equipment, it should be conducted under the supervision of individuals who have the qualification to repair AC equipped with flammable refrigerants.

Inspection of the Site

Safety inspection must be conducted before maintaining equipment with R32 refrigerant to make sure the risk of fire is minimized.

Check whether the space is well ventilated and whether anti-static or fire prevention equipment is required.

While maintaining the refrigeration system, observe the following precautions before operating the system.

Operating Procedures

1. General work area:

All maintenance staff and others working in the local area shall be instructed on the nature of work being carried out. Work in confined spaces shall be avoided. The area around the workspace shall be sectioned off. Ensure that the conditions within the area have been made safe by control of flammable material.

2. Checking for presence of refrigerant:

The area shall be checked with an appropriate refrigerant detector prior to and during work, to ensure the technician is aware of potentially toxic or flammable atmospheres. Ensure that the leak detection equipment being used is suitable for use with all applicable refrigerants, i.e. non-sparking, adequately sealed or intrinsically safe.

3. Presence of fire extinguisher:

If any hot work is to be conducted on the refrigeration equipment or any associated parts, appropriate fire extinguishing equipment shall be available to hand. Have a dry powder or CO₂ fire extinguisher adjacent to the charging area.

4. No ignition sources:

No person carrying out work in relation to a refrigeration system which involves exposing any pipe work shall use any sources of ignition in such a manner that it may lead to the risk of fire or explosion. All possible ignition sources, including cigarette smoking, should be kept sufficiently far away from the site of installation, repairing, removing and disposal, during which refrigerant can possibly be released to the surrounding space. Prior to work taking place, the area around the equipment is to be surveyed to make sure that there are no flammable hazards or ignition risks. 'No Smoking' signs shall be displayed.

5. Ventilated Area (open the door and window):

Ensure that the area is in the open or that it is adequately ventilated before breaking into the system or conducting any hot work. A degree of ventilation shall continue during the period that the work is carried out. The ventilation should safely disperse any released refrigerant and preferably expel it externally into the atmosphere.

6. Checks to the refrigeration equipment:

Where electrical components are being changed, they shall be fit for the purpose and to the correct specification. At all times the manufacturer's maintenance and service guidelines shall be followed. If in doubt, consult the manufacturer's technical department for assistance. The following checks shall be applied to installations using flammable refrigerants:

- The charge size is in accordance with the room size within which the refrigerant containing parts are installed.
- The ventilation machinery and outlets are operating adequately and are not obstructed.
- If an indirect refrigerating circuit is being used, the secondary circuit shall be checked for the presence of refrigerant.
- Refrigeration pipe or components are installed in a position where they are unlikely to be exposed to any substance which may corrode refrigerant containing components, unless the components are constructed of materials which are inherently resistant to being corroded or are suitably protected against being so corroded.

7. Checks to electrical devices:

Repair and maintenance to electrical components shall include initial safety checks and component inspection procedures. If a fault exists that could compromise safety, then no electrical supply shall be connected to the circuit until it is satisfactorily dealt with. If the fault cannot be corrected immediately but it is necessary to continue operation, an adequate temporary solution shall be used. This shall be reported to the owner of the equipment so all parties are advised. Initial safety checks shall include:

- That capacitors are discharged: this shall be done in a safe manner to avoid possibility of sparking.
- That no live electrical components and wiring are exposed while charging, recovering or purging the system.
- Keep continuity of grounding.

Inspection of Cable

Check the cable for wear, corrosion, overvoltage, vibration and check if there are sharp edges and other adverse effects in the surrounding environment. During the inspection, the impact of aging or the continuous vibration of the compressor and the fan on it should be taken into consideration.

Leakage check of R32 refrigerant

Note: Check the leakage of the refrigerant in an environment where there is no potential ignition source. No halogen probe (or any other detector that uses an open flame) should be used.

Leak detection method:

For systems with refrigerant R32, electronic leak detection instrument is available to detect and leak detection should not be conducted in environment with refrigerant. Make sure the leak detector will not become a potential source of ignition, and is applicable to the measured refrigerant. Leak detector shall be set for the minimum ignitable fuel concentration (percentage) of the refrigerant. Calibrate and adjust to proper gas concentration (no more than 25%) with the used refrigerant. The fluid used in leak detection is applicable to

Maintenance Notice

most refrigerants. But do not use chloride solvents to prevent the reaction between chlorine and refrigerants and the corrosion of copper pipeline.

If you suspect a leak, remove all the fire from the scene or put out the fire.

If the location of the leak needs to be welded, then all refrigerants need to be recovered, or, isolate all refrigerants away from the leak site (using cut-off valve). Before and during the welding, use OFN to purify the entire system.

Removal and Vacuum Pumping

1. Make sure there is no ignited fire source near the outlet of the vacuum pump and the ventilation is well.
2. Allow the maintenance and other operations of the refrigeration circuit should be carried out according to the general procedure, but the following best operations that the flammability is already taken into consideration are the key. You should follow the following procedures:
 - Remove the refrigerant.
 - Decontaminate the pipeline by inert gases.
 - Evacuation.
 - Decontaminate the pipeline by inert gases again.
 - Cut or weld the pipeline.
3. The refrigerant should be returned to the appropriate storage tank. The system should be blown with oxygen free nitrogen to ensure safety. This process may need to be repeated for several times. This operation shall not be carried out using compressed air or oxygen.
4. Through blowing process, the system is charged into the anaerobic nitrogen to reach the working pressure under the vacuum state, then the oxygen free nitrogen is emitted to the atmosphere, and in the end, vacuumize the system. Repeat this process until all refrigerants in the system is cleared. After the final charging of the anaerobic nitrogen, discharge the gas into the atmosphere pressure, and then the system can be welded. This operation is necessary for welding the pipeline.

Procedures of Charging Refrigerants

As a supplement to the general procedure, the following requirements need to be added:

- Make sure that there is no contamination among different refrigerants when using a refrigerant charging device. The pipeline for charging refrigerants should be as short as possible to reduce the residual of refrigerants in it.
- Storage tanks should remain vertically up.
- Make sure the grounding solutions are already taken before the refrigeration system is charged with refrigerants.
- After finishing the charging (or when it is not yet finished), label the mark on the system.
- Be careful not to overcharge refrigerants.

Scrap and Recovery

Scrap: Before this procedure, the technical personnel shall be thoroughly familiar with the equipment and all its features, and make a recommended practice for refrigerant safe recovery. For recycling the refrigerant, shall analyze the refrigerant and oil samples before operation. Ensure the required power before the test.

1. Be familiar with the equipment and operation.
2. Disconnect power supply.
3. Before carrying out this process, you have to make sure:
 - If necessary, mechanical equipment operation should facilitate the operation of the refrigerant tank.
 - All personal protective equipment is effective and can be used correctly.
 - The whole recovery process should be carried out under the guidance of qualified personnel.
 - The recovering of equipment and storage tank should comply with the relevant national standards.

4. If possible, the refrigerating system should be vacuumized.
5. If the vacuum state can't be reached, you should extract the refrigerant in each part of the system from many places.
6. Before the start of the recovery, you should ensure that the capacity of the storage tank is sufficient.
7. Start and operate the recovery equipment according to the manufacturer's instructions.
8. Don't fill the tank to its full capacity (the liquid injection volume does not exceed 80% of the tank volume).

9. Even the duration is short, it must not exceed the maximum working pressure of the tank.

10. After the completion of the tank filling and the end of the operation process, you should make sure that the tanks and equipment should be removed quickly and all closing valves in the equipment are closed.
11. The recovered refrigerants are not allowed to be injected into another system before being purified and tested.

Note: The identification should be made after the appliance is scrapped and refrigerants are evacuated. The identification should contain the date and endorsement. Make sure the identification on the appliance can reflect the flammable refrigerants contained in this appliance.

Recovery:

1. The clearance of refrigerants in the system is required when repairing or scrapping the appliance. It is recommended to completely remove the refrigerant.
2. Only a special refrigerant tank can be used when loading the refrigerant into the storage tank. Make sure the capacity of the tank is appropriate to the refrigerant injection quantity in the entire system. All tanks intended to be used for the recovery of refrigerants should have a refrigerant identification (i.e. refrigerant recovery tank).

Storage tanks should be equipped with pressure relief valves and globe valves and they should be in a good condition. If possible, empty tanks should be evacuated and maintained at room temperature before use.

3. The recovery equipment should be kept in a good working condition and equipped with equipment operating instructions for easy access. The equipment should be suitable for the recovery of R32 refrigerants.

Besides, there should be a qualified weighting apparatus which can be normally used.

The hose should be linked with detachable connection joint of zero leakage rate and be kept in a good condition.

Before using the recovery equipment, check if it is in a good condition and if it gets perfect maintenance.

Check if all electrical components are sealed to prevent the leakage of the refrigerant and the fire caused by it.

If you have any question, please consult the manufacturer.

4. The recovered refrigerant shall be loaded in the appropriate storage tanks, attached with a transporting instruction, and returned to the refrigerant manufacturer. Don't mix refrigerant

in recovery equipment, especially a storage tank.

5. The space loading R32 refrigeration can't be enclosed in the process of transportation. Take anti electrostatic measures if necessary in transportation. In the process of transport, loading and unloading, necessary protective measures must be taken to protect the air conditioner to ensure that the air conditioner is not damaged.

6. When removing the compressor or clearing the compressor oil, make sure the compressor is pumped to an appropriate level to ensure that there is no residual R32 refrigerants in the lubricating oil. The vacuum pumping should be carried out before the compressor is returned to the supplier. Ensure the safety when discharging oil from the system.

DE-COMMISSIONING,DISMANTLING&DISPOSAL

This product contains refrigerant under pressure, rotating parts, and electrical connections which may be a danger & cause injury. All work must only be carried out by competent persons using suitable protective clothing and safety precautions.



Read the Manual



Risk of Electric Shock

RoHS



Unit is Remotely controlled
& may start without warning



1. Isolate all sources of electrical supply to the unit including any control system supplies switched by the unit.
Ensure that all points of electrical and gas isolation are secured in the OFF position.
The supply cables and gas pipe work may then be disconnected and removed.
For points of connection refer to unit installation instructions.
2. Remove all refrigerant from each system of the unit into a suitable container using a refrigerant reclaim or recovery unit.
This refrigerant may then be reused, if appropriate, or returned to the manufacturer for disposal.
Under no circumstances should refrigerant be vented to atmosphere. Where appropriate, drain the refrigerant oil from each system into a suitable container and dispose of according to local laws and regulations governing disposal of oily wastes.
3. Packaged units can generally be removed in one piece after disconnection as above.
Any fixing down bolts should be removed and then unit lifted from position using the points provided and equipment of adequate lifting capacity.
Reference **MUST** be made to the unit installation instructions for unit weight and correct methods of lifting.
Note that any residual or spilt refrigerant oil should be mopped up and disposed of as described above.
4. After removal from position the unit parts may be disposed of according to local laws and regulations.
5. Meaning of crossed Out wheeled dustbin: Do not dispose of electrical appliances as unsorted municipal waste, use separate collection facilities.
Contact your local government for information regarding the collection systems available. If electrical appliances are disposed of in landfills or dumps, hazardous substances can leak into the groundwater and get into the food chain, damaging your health and well being. When replacing old appliances with new ones, the retailer is legally obligated to take back your old appliance for disposals at least free of charge.



MADE IN CHINA

AUX

MANUAL DE INSTALACIÓN Y SERVICIO

R32 AireAcondicionado Tipo
Dividido Montado en la Pared

MODELOS

~~J-Series L-Series~~
Q-Series

- Lea este manual de instalación detenidamente y a fondo antes de instalar la unidad.
- Guarde este manual para futuras consultas.

AUX AIR CONDITIONER CO., LTD.

1166, Calle Norte Mingguang, Jiangshan, Yinzhou, Ningbo,
315191, Zhejiang, China

Advertencia







Nota:

El aire acondicionado con refrigerante R32, si se maneja de manera brusca, puede causar daños graves al cuerpo humano o a los objetos circundantes.

- Los requisitos de espacio de la habitación y la carga máxima de refrigerante se muestran en la tabla a la derecha.
- Si se ha formado hielo en la unidad, no utilice métodos para acelerar el proceso de descongelación distintos de los recomendados por el fabricante.
- No utilice productos de limpieza en la unidad que no estén aprobados por el fabricante.
- No perforo ni queme el aire acondicionado y asegúrese de que la tubería de refrigerante no esté dañada.
- El aparato debe almacenarse en una habitación sin fuentes de ignición en funcionamiento continuo (por ejemplo: llamas abiertas, un aparato de gas en funcionamiento o un calentador eléctrico en funcionamiento).
- Tenga en cuenta que el refrigerante puede no tener olor.
- El aire acondicionado debe almacenarse en un lugar que pueda prevenir daños involuntarios a la unidad.
- Asegúrese de observar los códigos locales y los requerimientos de seguridad.

Requisitos de Espacio de la Habitación y Carga Máxima de Refrigerante.

Tipo del Refrigerante	Cantidad Permitida de Carga de Refrigerante (oz (kg))	Área Min. del Piso para la Instalación (m ²)
R32	< 1,84	7
	1,84~2,34	9
	2,341~2,84	10,5
	2,841~3,34	12,5
	3,341 ~3,84	14
	3,841~4,34	18

Símbolo	Nota	Explicación
	ADVERTENCIA	Este símbolo indica que este aparato utiliza un refrigerante inflamable. Si el refrigerante se filtra y entra en contacto con una fuente de ignición externa, existe riesgo de incendio. (Para el aire acondicionado con CE-MARKING y CB-MARKING, IEC 60335-2-40+A1:2016)
	ADVERTENCIA	Este símbolo indica que este aparato utiliza un material de baja velocidad de combustión. (Solo para el aire acondicionado con CB-MARKING y IEC 60335-2-40:2022)
	ADVERTENCIA	Este símbolo indica que este aparato utiliza un material de baja velocidad de combustión. (Solo para el aire acondicionado con CB-MARKING y IEC 60335-2-40:2018)
	PRECAUCIÓN	Este símbolo indica que se debe leer detenidamente el manual de operación.
	PRECAUCIÓN	Este símbolo indica que el equipo debe ser manipulado por personal de servicio, con referencia al manual de instalación.
	PRECAUCIÓN	Este símbolo indica que hay información disponible, como el manual de operación o el manual de instalación.

Precauciones de seguridad

La instalación o el uso incorrectos sin seguir estas instrucciones podrían causar lesiones o daños personales, materiales, etc. La gravedad se clasifica según las siguientes indicaciones:

⚠ ADVERTENCIA
Este símbolo indica la posibilidad de muerte o lesiones graves.

⚠ PRECAUCIÓN
Este símbolo indica la posibilidad de lesiones o daños a propiedades.

<td>Cosas que no deben hacer</td> <td> <td>Siga las instrucciones.</td> </td>	Cosas que no deben hacer	<td>Siga las instrucciones.</td>	Siga las instrucciones.
<td>Corte la energía.</td> <td> <td>Avisos ambientales.</td> </td>	Corte la energía.	<td>Avisos ambientales.</td>	Avisos ambientales.

⚠ ADVERTENCIA

Este aparato no está destinado para su uso por personas (incluidos niños) con capacidades físicas, sensoriales o mentales reducidas o falta de experiencia y conocimiento, a menos que reciban supervisión o instrucción sobre el uso del aparato por parte de una persona responsable de su seguridad. Los niños deben ser supervisados para garantizar que no jueguen con el aparato. (Excepto el aire acondicionado con CE-MARKING)

Este aparato puede ser utilizado por niños a partir de 8 años y por personas con capacidades físicas, sensoriales o mentales reducidas, o falta de experiencia y conocimiento, siempre que hayan recibido supervisión o instrucciones sobre el uso seguro del aparato y comprendan los riesgos involucrados. Niños no deben jugar con el aparato. La limpieza y el mantenimiento del usuario no deben ser realizados por niños sin supervisión. (Solo para el aire acondicionado con CE-MARKING)

⚠ ADVERTENCIA



- **No** conecte el cable de tierra a la tubería de gas, la tubería de agua, el pararrayos o el cable de tierra del teléfono.
 - **No** tire del cable de alimentación. Tirar del cable de alimentación podría dañar la unidad y causar descargas eléctricas.
 - **No** corte la alimentación principal durante el funcionamiento o con las manos mojadas. Podría causar una descarga eléctrica.
- No** dejes que el aire acondicionado sople hacia el aparato calefactor. De lo contrario, provocará una combustión incompleta, lo que puede causar intoxicación.
- **No** permita que el control remoto y la unidad interior se mojen o se humedezcan demasiado. La exposición a humedad excesiva puede dañar la unidad y/o causar descargas eléctricas.
- No** instale el aire acondicionado en un lugar donde haya gas o líquido inflamable a menos que la distancia sea igual o superior a 1 m.
- **No** utilice ningún líquido o agente limpiador no aprobado para limpiar el aire acondicionado.
 - **No** intente reparar el aire acondicionado usted mismo. Las reparaciones incorrectas pueden causar incendio o explosión. Contacte con un técnico de servicio calificado para todos los requerimientos de mantenimiento.
 - **No** utilice el aire acondicionado durante una tormenta eléctrica. La alimentación debe ser desconectada para evitar peligros o lesiones.
 - **No** introduzca las manos ni ningún objeto en la entrada o salida de aire. Esto podría causar lesiones personales o daños a la unidad.
 - **No** obstruya las entradas o salidas de aire. De lo contrario, la capacidad de refrigeración o calefacción disminuirá o hará que el sistema deje de funcionar.

• **Por favor, instale** el sistema sobre una superficie segura para

evitar que la unidad caiga y cause lesiones o daños.

- **El** aparato debe instalarse de acuerdo con las regulaciones nacionales de cableado.
- **Debe instalarse un** interruptor diferencial con capacidad nominal para evitar posibles descargas eléctricas.
- **Si** el cable de suministro está dañado, debe ser reemplazado por el fabricante, su agente de servicio o personas igualmente calificadas para evitar un riesgo.
- **Contacte** con un técnico de servicio calificado para todos los requerimientos de mantenimiento.
- **El** aire acondicionado debe estar conectado a tierra. Una conexión a tierra incompleta puede provocar descargas eléctricas.
- **Asegúrese de** que el sistema tenga su propio circuito eléctrico dedicado y de que todo el trabajo eléctrico sea realizado por una persona certificada o con licencia para llevar a cabo dicho trabajo en el estado o región donde se realiza la instalación.
- **Asegúrese de** que los siguientes objetos no se encuentren debajo de la unidad interior:
 - Microondas, hornos y otros objetos calientes.
 - Ordenadores y otros aparatos de alta estática.
 - Tomas de corriente.
 - Objetos susceptibles a daños por agua.
- **Las** tuberías entre la unidad interior y exterior no deben reutilizarse, a menos que puedan ser correctamente enjuagadas y reabocardadas
- **Las** especificaciones de los requisitos eléctricos se encuentran en la placa de datos de la unidad.

⚠ ADVERTENCIA



- **Para** garantizar la seguridad, apague siempre el aparato y corte la alimentación eléctrica cuando no se use durante mucho tiempo.
- **Apague** siempre el aparato y corte la alimentación eléctrica antes de realizar cualquier operación de mantenimiento o limpieza. De lo contrario, podría causar descargas eléctricas o daños.

⚠ ADVERTENCIA



Precauciones de seguridad

ADVERTENCIA



Este producto contiene gases fluorados de efecto invernadero.

- **La fuga de refrigerante** provocará el cambio climático.
- **Nunca** manipule el sistema de refrigeración ni intente repararlo sin la formación adecuada y el cumplimiento de las normativas locales y nacionales.
- **El** refrigerante en este sistema tiene un potencial de calentamiento global (GWP) menor que un refrigerante con un GWP más alto, en caso de fuga a la atmósfera. Este aparato contiene un fluido refrigerante con un GWP igual a [675]. Esto significa que si se filtraran 1 kg de este refrigerante a la atmósfera, el impacto en el calentamiento global sería [675] veces mayor que 1 kg de CO₂, durante un período de 100 años.

PRECAUCIÓN



- **No** opere el sistema con ventanas o puertas abiertas. Esto limitará la eficacia del sistema.
- **No** se pare encima de la unidad exterior ni coloque objetos pesados sobre ella. Esto podría causar lesiones personales o daños a la unidad.
- **No** utilice el sistema para otros fines, como secar ropa, conservar alimentos, etc.
- **No** aplique aire frío al cuerpo durante mucho tiempo. Deteriorará su condición física y causará problemas de salud.

PRECAUCIÓN



- **El** ajuste adecuado de la temperatura establecida evita el desperdicio de electricidad.
- **Si** su aire acondicionado no está equipado con un cable de suministro y un enchufe, se debe instalar un interruptor de desconexión total en el cableado fijo, y la distancia entre los contactos no debe ser inferior a 3,0 mm.
- **Si** su aire acondicionado está conectado permanentemente al cableado fijo, se debe instalar un dispositivo de corriente residual (RCD) con una corriente de funcionamiento residual nominal que no supere los 30 mA en el cableado fijo.
- **El** circuito de suministro de energía debe tener un protector contra fugas y un interruptor de aire, cuya capacidad debe ser superior a 1,5 veces la corriente máxima.
- **En cuanto a** la instalación del aire acondicionado, por favor, consulte los siguientes párrafos de este manual.

ADVERTENCIA DE LA WEEE

Significado del cubo de basura con rueda tachado:

No deseché los electrodomésticos como residuos municipales no clasificados, utilice instalaciones de recolección separada.

Póngase en contacto con la administración local para obtener información sobre los sistemas de recogida disponibles.

Si los electrodomésticos se desechan en vertederos obsoletos, las sustancias peligrosas pueden filtrarse en el agua subterránea y llegar a la cadena alimentaria, dañando su salud y bienestar. Al reemplazar los aparatos viejos por nuevos, el minorista tiene la obligación legal de retirar su aparato viejo para su eliminación, al menos sin costo alguno.



Avisos de Uso

Rango de operación

- La operación de la unidad fuera del rango de temperatura recomendado puede afectar el rendimiento del sistema. Cuando la temperatura es demasiado alta, el aire acondicionado puede hacer saltar el disyuntor, provocando su apagado. Cuando la temperatura es demasiado baja, el intercambiador de calor exterior puede generar exceso de humedad, lo que resulta en goteo de agua desde la unidad.
- En este tipo de clima, la eficiencia de refrigeración puede ser menor que la esperada. Durante las operaciones de calefacción, se deben cerrar puertas y ventanas para evitar que la unidad interior produzca demasiada agua y provoque fugas.

Rango	Interior	Exterior
Refrigeración	16°C~32°C	16°C~46°C
		16°C~55°C (Para áreas tropicales)
		-15°C~52°C (Para modelos de enfriamiento de baja temperatura)
Calefacción (solo modelos con bomba de calor)	0°C~32°C	-15°C~24°C
		-25°C~24°C (Para modelos de calefacción auxiliar)

Notas Para Calefacción

- El ventilador de la unidad interior se pondrá en marcha inmediatamente cuando se inicie el ciclo de calefacción. La unidad se calentará primero y luego comenzará a expulsar aire para evitar la salida de aire frío.
- Cuando hace frío y está húmedo afuera, la unidad exterior desarrollará escarcha sobre el intercambiador de calor, lo que con el tiempo hará que el sistema inicie la función de descongelación.
- Durante la descongelación, el aire acondicionado dejará de calentar durante aprox. 5-12 minutos.
- Puede salir vapor de la unidad exterior durante la descongelación. Esto no es un mal funcionamiento, sino el resultado de una descongelación rápida.
- La calefacción se reanudará una vez completada la descongelación.

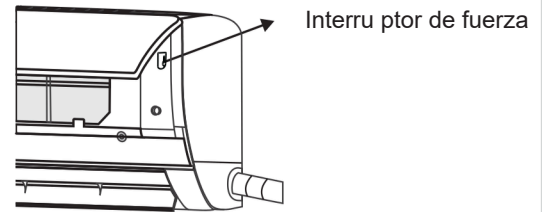
Operación de Emergencia

- Cuando el aire acondicionado se apague, el controlador principal decidirá automáticamente si detenerse inmediatamente o después de funcionar durante decenas de segundos a una frecuencia y velocidad de aire más bajas.

Emergency Operation

- En caso de pérdida o daño del control remoto, utilice el botón de encendido forzado para operar el aire acondicionado.
- Si se presiona este botón con la unidad apagada, el aire acondicionado funcionará en modo AUTO con una temperatura establecida de 25°C y velocidad del ventilador en modo AUTO.
- Si se presiona este botón con la unidad encendida, el aire acondicionado dejará de funcionar.

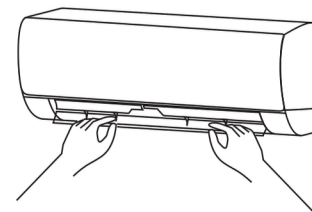
Solo algunos modelos tienen interruptores de fuerza.



Interrup tor de fuerza

Ajuste de la Dirección del Flujo de Aire

- Uselos botones de oscilación vertical y horizontal en el control remoto para ajustar la dirección del flujo de aire. Consulte el manual de operación del control remoto para más detalles.
- Para los modelos sin función de oscilación horizontal, la rejilla de aire debe moverse manualmente.



Nota:

Ajuste las rejillas de aire antes de que la unidad esté en funcionamiento, o podría sufrir una lesión en el dedo. Nunca coloque la mano en la entrada o salida de aire cuando el aire acondicionado esté en funcionamiento.

Avisos Importantes

- Esta unidad debe ser instalada por un contratista certificado para evitar:
 - Los daños a la unidad.
 - Fugas de refrigerante en la atmósfera.
 - Descarga eléctrica.
 - Quemaduras por refrigerante.
 - Otras lesiones graves, incluyendo la muerte.
- Debe realizarse una prueba de fugas después de la instalación.
- Para mover e instalar el aire acondicionado en otro lugar, por favor, contacte con nuestro contratista autorizado local.

Inspecciones al Desembalar

- Abra la caja y revise el aire acondicionado en un área con buena ventilación y sin fuentes de ignición.
- Nota: Se requiere que los operadores utilicen dispositivos antiestáticos.
- Es necesario verificar si hay fugas de refrigerante antes de abrir la caja de la unidad exterior; detenga la instalación del aire acondicionado si se encuentra una fuga.
- El equipo de prevención de incendios debe estar preparado adecuadamente antes de realizar la inspección.
- Luego, revise la tubería de refrigerante para ver si hay algún daño o fuga.

Principios de Seguridad para la Instalación del Aire Acondicionado

- El equipo de prevención de incendios debe ser preparado antes de la instalación.
- Mantenga el sitio de instalación ventilado. (Abrir la puerta y las ventanas)
- No se permite la presencia de fuentes de ignición, fumar ni hacer llamadas en el área donde se encuentra el refrigerante R32.
- Se deben tomar precauciones contra la estática al instalar el aire acondicionado, por ejemplo, usar ropa y guantes de algodón puro.
- Mantenga el detector de fuga en funcionamiento durante la instalación.

Avisos de Uso

- Sila fuga del refrigerante R32 ocurrida durante la instalación, debe detectar la concentración inmediatamente en el entorno interior hasta que alcance un nivel seguro.
- Si la fuga de refrigerante afecta el rendimiento del aire acondicionado, debe detenerse inmediatamente la operación. El aire acondicionado debe ser despresurizado primero y luego enviado a la estación de mantenimiento para su procesamiento.
- Mantenga los electrodomésticos, el interruptor de encendido, el enchufe, la toma de corriente, las fuentes de calor de alta temperatura y las altas cargas estáticas alejados del área debajo de los bordes laterales de la unidad interior.
- El aire acondicionado debe ser instalado en un lugar accesible para la instalación y el mantenimiento, sin obstáculos que puedan bloquear las entradas o salidas de aire de las unidades interiores/exteriores. También debe mantenerse alejado de fuentes de calor, condiciones inflamables o explosivas.
- Al instalar o reparar el aire acondicionado y si la línea de conexión no es lo suficientemente larga, se deberá reemplazar toda la línea de conexión por una de la especificación original; no se permite la extensión.
- Evite lugares expuestos a ruidos y resonancias, como las paredes sobre una zona de descanso.
- Evite condiciones naturales severas (por ejemplo, vientos fuertes, luz solar directa o fuentes de calor a alta temperatura).
- Evite lugares dentro al alcance de los niños.
- Reduzca al máximo la conexión entre las unidades interior y exterior para un mejor rendimiento.
- Seleccione un lugar donde sea fácil realizar el servicio y las reparaciones.
- La unidad exterior no deberá instalarse de manera que ocupe un pasillo, escalera, salida, salida de emergencia, pasarela o cualquier otra área pública.
- La unidad exterior deberá instalarse lo más lejos posible de las puertas y ventanas de los vecinos, así como de las plantas.

Requisitos para la Posición de Instalación

- Evite lugares con fuga de gases inflamables o explosivos, o donde haya mala ventilación.
- Evite lugares expuestos a campos eléctricos/magnéticos fuertes, como microondas y luces fluorescentes.

Inspecciones del Entorno de Instalación

- Revise la placa de identificación de la unidad exterior para comprobar si el refrigerante es R32.
- Revise el espacio del suelo de la habitación. El espacio no debe ser menor que el espacio utilizable especificado en las instrucciones.
- La unidad exterior debe ser instalada en un lugar bien ventilado.
- Revise el entorno circundante del sitio de instalación: el R32 no debe instalarse en el espacio reservado cerrado de un edificio.
- Al utilizar el taladro eléctrico para hacer huecos en la pared, revise primero si hay tuberías preinstaladas para agua, electricidad y gas. Se sugiere utilizar el orificio reservado en el techo de la pared.

Avisos para la Instalación

Requisitos de la Estructura de Montaje

- El soporte de montaje debe cumplir con las normativas nacionales o industriales pertinentes.
- Se recomienda que el soporte de montaje y su superficie de carga puedan soportar un peso igual o superior a cuatro veces el peso de la unidad.
- El soporte de montaje de la unidad exterior debe fijarse con pernos de expansión o según lo recomendado por el fabricante.
- Asegúrese de una instalación segura, independientemente del tipo de pared en la que se instale, para evitar posibles caídas que puedan causar daños o lesiones.

Requisitos de Seguridad Eléctrica

- Asegúrese de utilizar el voltaje nominal correcto para el aire acondicionado y un circuito dedicado para el suministro de energía.
- Siga los códigos locales y nacionales para el cable de alimentación adecuado según el calibre AWG.
- El rango de operación es 90%-110% del voltaje nominal local. Un suministro de energía insuficiente puede causar mal funcionamiento, descarga eléctrica o incendio. Si hay inestabilidad en el voltaje, instale un regulador de voltaje.
- La distancia mínima entre el aire acondicionado y los materiales combustibles es de 1,5m o más.
- Utilice el tamaño y tipo de cable correctos para conectar la unidad interior a la unidad exterior.
- El tamaño del cable de interconexión, cable de alimentación, fusible e interruptor necesario se determinan por la corriente máxima de la unidad.
- El corriente máximo se indica en la placa de identificación ubicada en el panel lateral de la unidad. Consulte esta placa de identificación para elegir el tamaño adecuado del cable, el disyuntor o el interruptor.

Requisitos para las Operaciones a la Altura Elevada

- Al realizar la instalación a 2 metros o más sobre el nivel del suelo, se deben usar cinturones de seguridad y cuerdas de suficiente resistencia que estén firmemente sujetas a la unidad exterior, para prevenir caídas que puedan causar lesiones personales o muerte, así como pérdidas materiales.

Requisitos de Conexión a Tierra

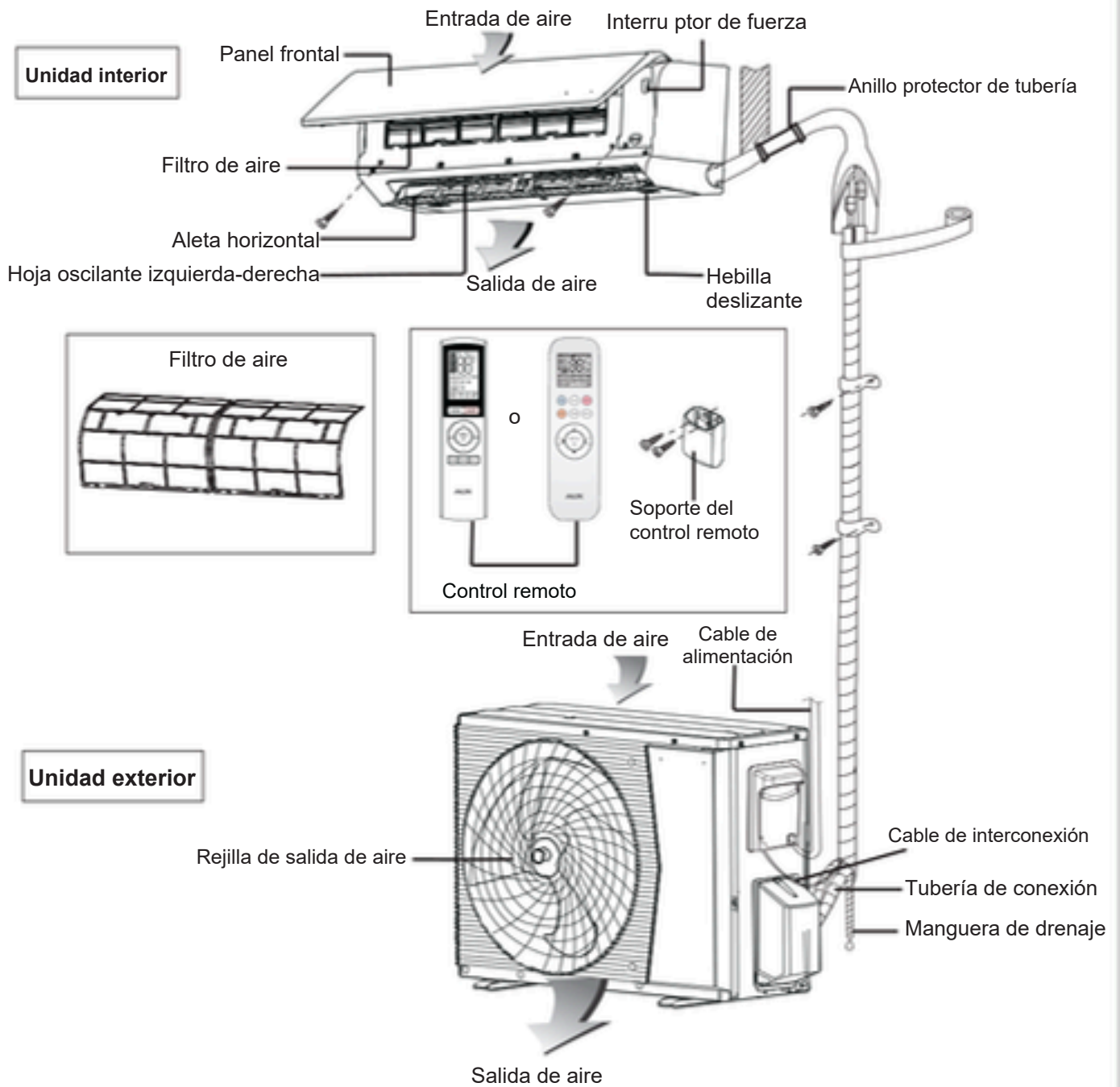
- Asegúrese de aterrizar correctamente la unidad. Siga todos los códigos locales y nacionales aplicables.
- No conecte el cable de puesta a tierra a una tubería de gas, tubería de agua, pararrayos, línea telefónica ni a un circuito mal aterrizado a tierra.
- El cable de puesta a tierra está diseñado especialmente para ese propósito y no debe usarse para otro fin, ni debe ser fijado con un tornillo de fijación común.
- Asegúrese de que todas las conexiones eléctricas estén bien sujetas y conectadas a los terminales correctos.
- Se deben seguir los códigos eléctricos locales y nacionales.

Otros

- El método de conexión del aire acondicionado, el cable de alimentación y la interconexión de cada elemento independiente deberá seguir el diagrama de cableado adherido a la máquina.
- Las especificaciones de cable de alimentación y cable de interconexión están impresas en la placa de

Diagrama de instalación

Piezas de la unidad



Nota:

1. Todas las ilustraciones de este manual son únicamente para fines .explicativos.
2. Su aire acondicionado puede tener ligeras diferencias. La forma real puede variar.
3. Están sujetos a cambios sin previo aviso para futuras mejoras.

Diagrama de instalación

Accesorios

Lea detenidamente estas Consideraciones de Seguridad antes de instalar el calentador del recipiente de drenaje. Después de completar la instalación, verifique si la unidad funciona correctamente durante la operación de arranque.

Lista de empaque de la unidad interior

Nombre	Cantidad	Unidad
Unidad Interior	1	Juego
Control remoto (**) Baterías (7#) (*)	1	Pieza
Instrucciones	2	Pieza
Tubería de drenaje (*)	1	Juego
	1	Pieza

Lista de empaque de la unidad exterior

Nombre	Cantidad	Unidad
Unidad Exterior	1 2	Juego
Tubería de conexión (*)	1	Pieza
Correa de Plástico (*)	1	ROLLO
Anillo Protector de Tubería (†)	1	Pieza
Masilla (putty) (*)		PAQUETE

Nota:

Partes opciones (*) que algunos modelos no incluyen.

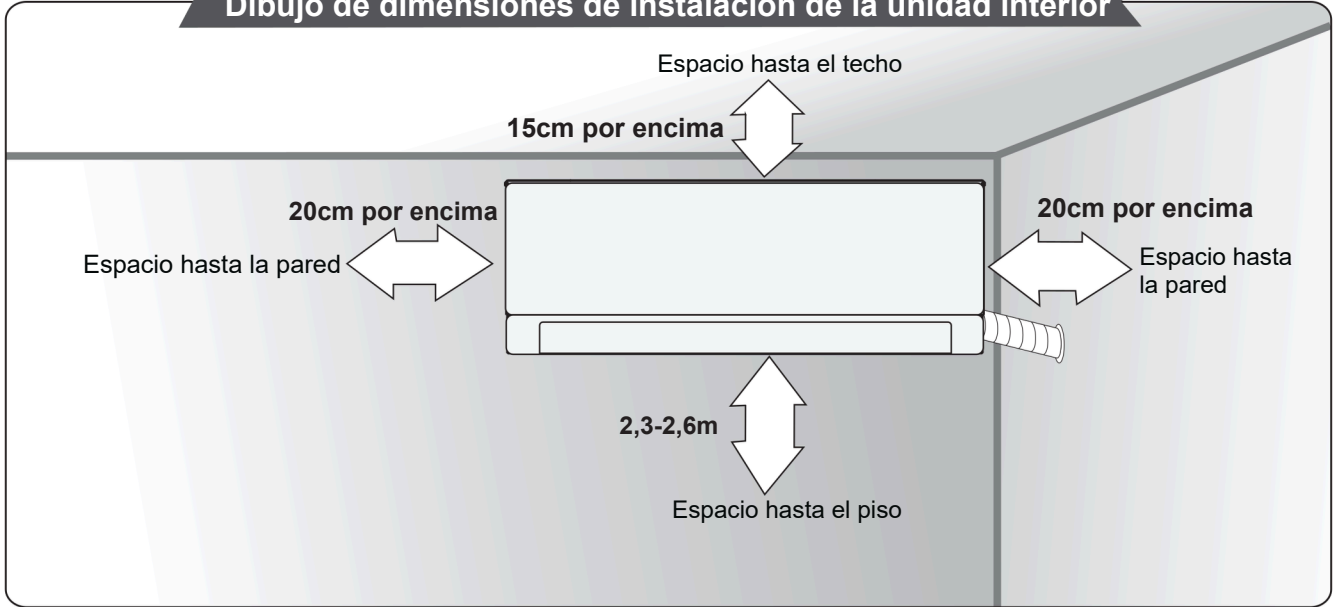
El cable de interconexión y las almohadillas de amortiguación de sonido son accesorios opcionales. Todos los accesorios estarán sujetos al material de embalaje real, y si hay alguna diferencia, le agradecemos su comprensión.

Herramientas Requeridas

Destornillador Phillips	Herramientas para abocardado
Cúter o tijeras	Gafas de seguridad
Amperímetro de pinza	Balanza de Refrigerante
Llave Hexagonal	Llave (o llave inglesa)
Bomba de Vacío	Manifold y Manómetros
Nivel	Cortatubos
Llave de torque	Guantes de trabajo
Sierra de Corona	Cinturón de seguridad

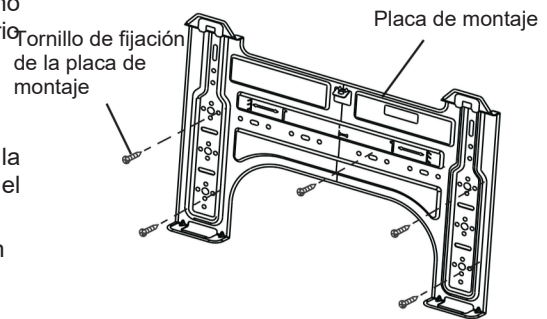
Instalación de La Unidad Interior

Dibujo de dimensiones de instalación de la unidad interior



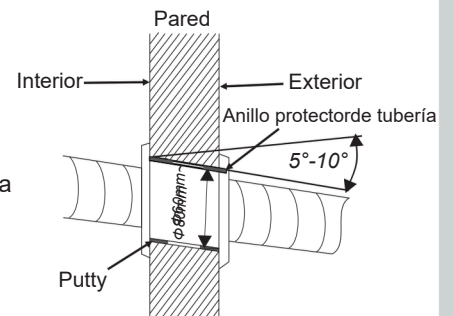
Placa de instalación de montaje

1. Asegúrese de que la pared sea lo suficientemente fuerte como para soportar el peso de la unidad. De lo contrario, será necesario reforzar la pared con placas, vigas o columnas.
2. Utilice los tornillos tipo Phillips "+" en al menos 5 agujeros adecuados para fijar la placa a la pared.
3. Asegúrese de que la placa esté nivelada horizontalmente en la pared y de que haya suficiente espacio entre la placa, la pared y el techo para montar la unidad.
4. Tire de la placa de montaje con la mano después de la instalación para confirmar si está bien sujeta.
5. Utilice las dimensiones de instalación para ubicar y perforar los agujeros (ver figura)



Agujero pasante en la pared

1. Una vez que se haya determinado una ubicación adecuada, perforo el agujero con una inclinación hacia afuera de 5°-10° para asegurar un drenaje adecuado.
2. Asegúrese de proteger las tuberías y cables de posibles daños mientras pasan a través de la pared, utilizando un anillo protector para tuberías u otro dispositivo protector proporcionado en el lugar.
3. Utilice la masilla suministrada para sellar la penetración de las tuberías y evitar la acumulación de moho, la entrada de roedores y el paso de aire frío/caliente al espacio.



Nota:

Normalmente, el diámetro del agujero de la pared es $\phi 60mm \sim \phi 80mm$.

Evite cables de alimentación preenterrados y paredes duras al hacer el agujero.

Instalación de La Unidad Interior

Ruta de Tubería

1. La tubería de refrigerante se puede guiar de varias maneras fuera de la unidad interior. Para la ruta hacia la izquierda, derecha o parte inferior, utilice los agujeros de corte en la carcasa de la unidad. Doble las tuberías con cuidado hacia la posición requerida para alinearlas con el agujero.
2. Para el enrutamiento posterior, asegúrese de perforar el agujero en el lugar adecuado según el soporte de montaje.
3. Envuelva el cable entre unidades, las tuberías de refrigerante y la manguera de drenaje juntos con cinta aislante. (ver Fig. 1)

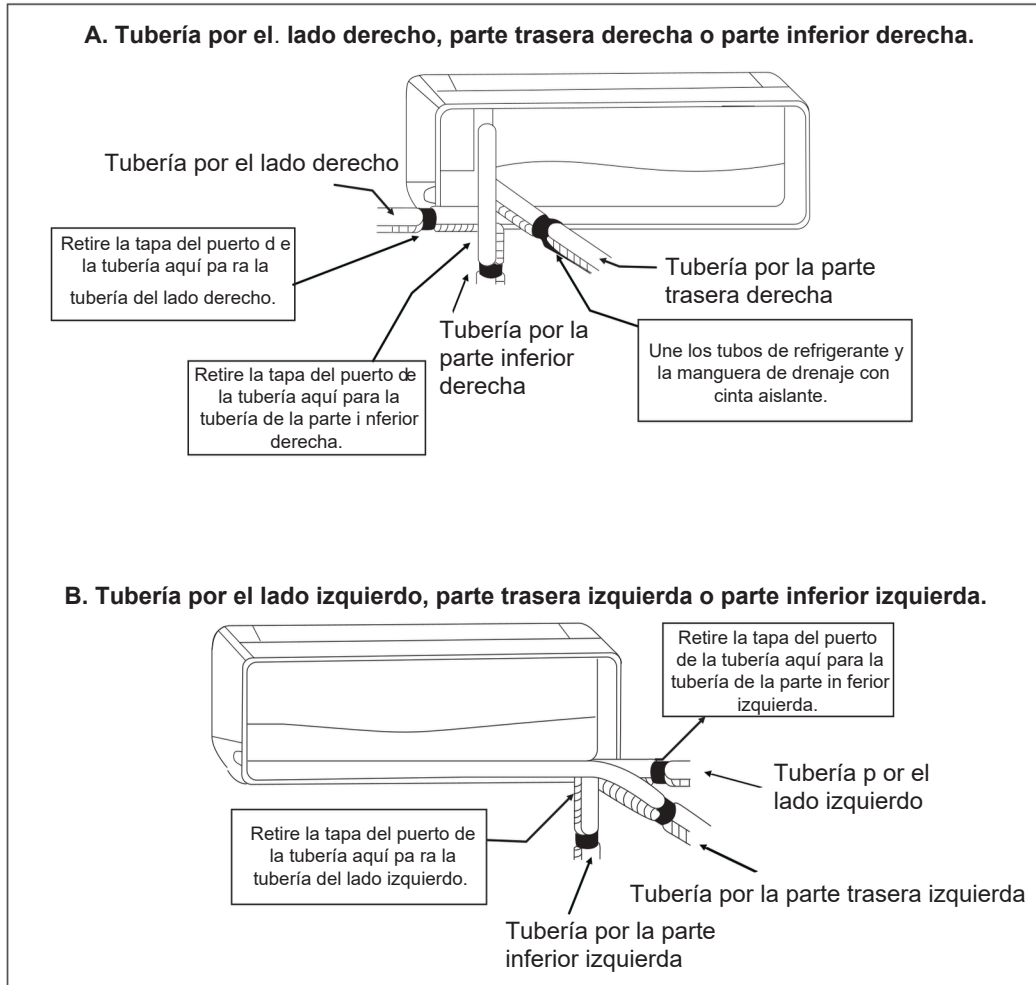


Fig.1

4. Tubería por la parte inferior o lateral (ver Fig. 2)
 - a. Corte la tapa del puerto de la tubería con una sierra para metales.
 - b. Coloque la hoja de la sierra para metales en la muesca y corte la tapa del puerto de la tubería a lo largo de la superficie interna irregular.
 - c. Después de cortar la tapa del puerto de la tubería, use una lima para suavizar los bordes.



Fig.2

Nota:

Latubería inferior solo se aplica en algunas unidades.

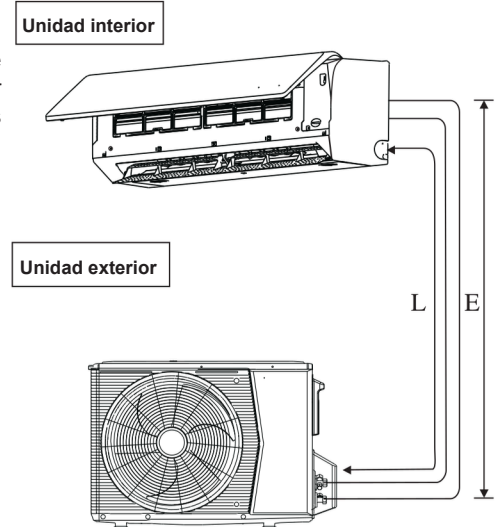
Instalación de La Unidad Interior

Instalar la Tubería de Refrigerante

Longitud de Tubería Permitida

Si la tubería es demasiado larga, tanto la capacidad como la fiabilidad de la unidad disminuirán. A medida que aumenta el número de curvas, la resistencia al flujo del sistema de refrigerante también aumenta, lo que reduce la capacidad de enfriamiento. Como resultado, el compresor puede volverse defectuoso. Siempre elija el camino más corto y siga las recomendaciones que se muestran en la tabla a continuación:

Modelo	Interior	07/09	12	18	24	36
	Exterior	07/09	12	18	24	36
Min. Longitud Permitida (L), m	3		3			
Máx. Longitud Permitida (L), m	20		30			
Máx. Elevación Permitida (E), m	15		20			
Tamaño de la tubería, mm	9,52		12,70		15,88	
Tamaño de la Tubería de Líquido, mm	6,35		6,35			



Nota:

- **Asegúrese de añadir una cantidad apropiada del refrigerante adicional. El no hacerlo puede resultar en una reducción del rendimiento. (Vea la tabla en la página 16 para cantidades adicionales de refrigerante)**
- **El refrigerante precargado en la unidad exterior es para longitudes de tubería de hasta 25 pulgadas (7,6 m).**

Trabajo de Tuberías y Técnica de Abocardado

- No utilice tuberías de cobre contaminadas o estropeadas. Si el evaporador, el condensador o cualquier tubería ha estado abierto y expuesto a la atmósfera durante 15 segundos o más, el sistema debe ser evacuado. No retire los tapones de plástico ni las tuercas de latón de las conexiones de las tuberías hasta que las conexiones estén listas para ser realizadas.
- Si se requiere realizar algún trabajo de soldadura, asegúrese de utilizar una purga de gas nitrógeno para evitar la formación de hollín en la pared interior de las tuberías de cobre. El no hacerlo puede causar daños a la unidad y anular la garantía.
- Corte la tubería lo más recto posible (Ver la Fig. 1). Asegúrese de utilizar una herramienta de desbarbado para eliminar cualquier rebaba. Sujete la tubería con la abertura hacia abajo para evitar que las virutas de metal entren en la tubería (ver Fig. 2).

Fig 1.

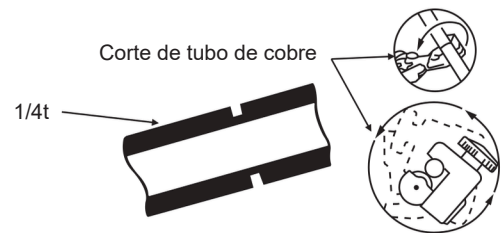
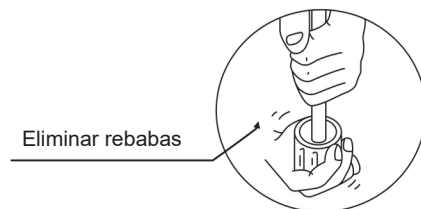


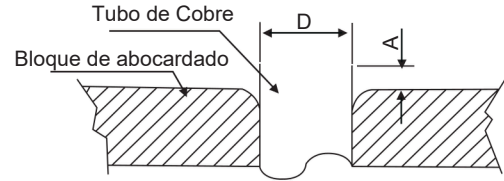
Fig 2.



Instalación de La Unidad Interior

Instalar la Tubería de Refrigerante

- Esto evitará irregularidades en las superficies del abocardado, lo que podría causar fugas de gas.
- Inserte las tuercas abocardadas, montadas en las partes de conexión tanto de la unidad interior como de la unidad exterior, Fig 3. en las tuberías de cobre.
- La longitud exacta de la tubería que sobresale de la superficie superior del bloque de expansión está determinada por la herramienta de abocardado. Ver Fig 3
- Fije la tubería de manera firme en el bloque de expansión. Alinee los centros del bloque de abocardado y el punzón de abocardado, luego apriete completamente el punzón de abocardado.
- Las conexiones de las tuberías de refrigerante están aisladas con polietileno de celdas cerradas.



Instale la tubería de conexión

1. Aplique una pequeña cantidad de aceite POE en el interior del abocardado para evitar que se atasque.
2. Alinee el centro de la tubería y apriete la tuerca de abocardado lo suficiente con los dedos. Ver Fig 4
3. Ajuste la llave de par a los valores de par de apriete adecuados según la tabla. Finalmente, apriete la tuerca de abocardado con la llave de par hasta que la llave emita un clic. Al apretar la tuerca de abocardado con la llave de par, asegúrese de que la dirección de apriete siga la flecha indicada en la llave.

Ø Tubo, D mm	A(mm)	
	Imperial (Tipo de tuerca mariposa)	Rígido (Tipo de embrague)
6,35	1,3	0,7
9,52	1,6	1,0
12,70	1,9	1,3
15,88	2,2	1,7
19,05	2,5	2,0

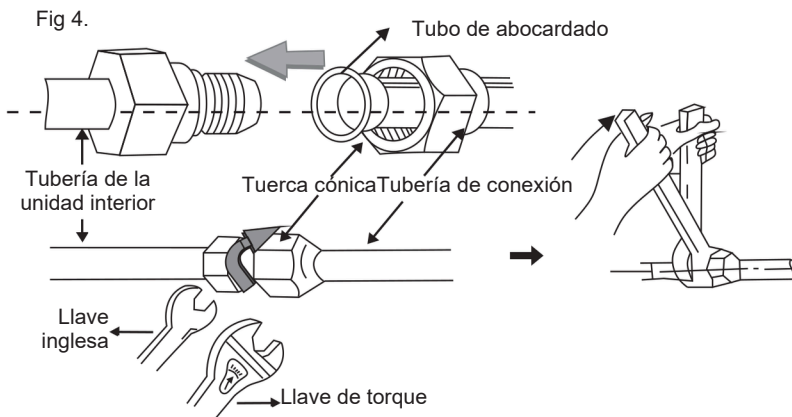


Tabla de par de apriete

Tamaño de la tubería, mm	Torque, N·m
Ø 6,35	15-25
Ø 9,52	35-40
Ø 12,7	45-60
Ø 15,88	73-78
Ø 19,05	75-80

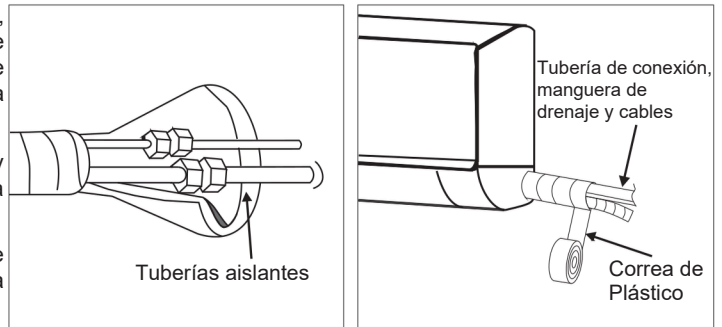
Instalación de La Unidad Interior

Envuelva la tubería

1. Utilice la funda aislante para envolver la parte de la unión, la unidad interior y la tubería de conexión. Luego, use material aislante para envolver y sellar la tubería de aislamiento, a fin de evitar la generación de agua condensada en la parte de la unión.

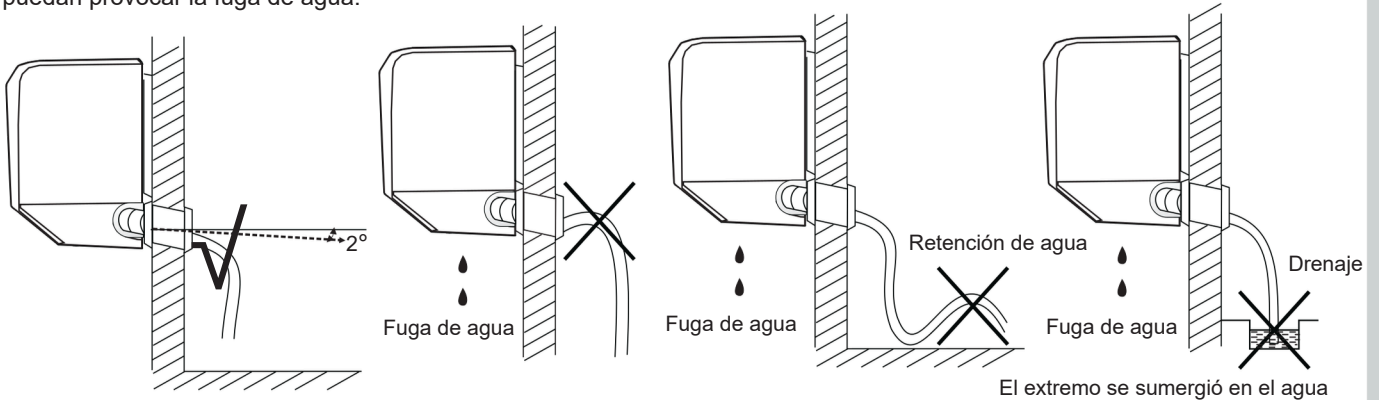
2. Conecte la salida de agua con las tuberías de drenaje, y asegúrese de que la tubería de conexión, los cables y la manguera de drenaje estén rectos.

3. Utilice bridas de plástico para envolver las tuberías de conexión, los cables y la manguera de drenaje. Haga pasar la tubería con una inclinación hacia abajo.



Tubería de drenaje de agua

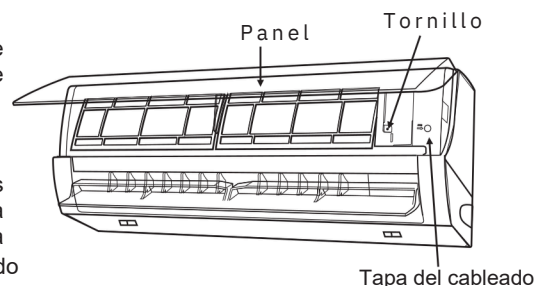
La tubería de drenaje interior debe tener una pendiente hacia abajo para un drenaje adecuado. Evite las situaciones que puedan provocar la fuga de agua.



Conexión de cableado eléctrico

Conecte el cable de interconexión de la unidad interior

1. Abra el panel frontal de la unidad y retire el tornillo en la tapa del cableado para acceder a los terminales del cableado de la unidad.
2. Pase el cable a través del orificio de cruce de cables en la parte posterior de la unidad interior y luego sáquelo por el lado frontal de la unidad con suficiente longitud para realizar las conexiones.
3. Retire el clip de cableado; conecte los cables de interconexión a los terminales correctos según el diagrama de cableado;
4. El cable de alimentación puede ser encaminado por separado de las tuberías. Corte el stock de salida y luego pase el cable de alimentación a través del orificio, manteniendo la parte restante como protección contra fugas.
5. Quite el tornillo, y luego fije el cable de interconexión con el clip de cableado.
6. Vuelva a colocar la tapa del cableado y luego apriete el tornillo.
7. Cierre el panel frontal.



Instalación de La Unidad Interior

Conexión de cableado eléctrico

Nota:

• Este manual normalmente incluye el modo de cableado para diferentes tipos de aire acondicionado. No podemos excluir la posibilidad de que no se incluyan algunos tipos especiales de diagramas de cableado

• El diagrama solo sirve para la referencia. Si la entidad es diferente de este diagrama de cableado, consulte el diagrama de cableado detallado adherido en la unidad que adquirió.

Revisión después de la instalación

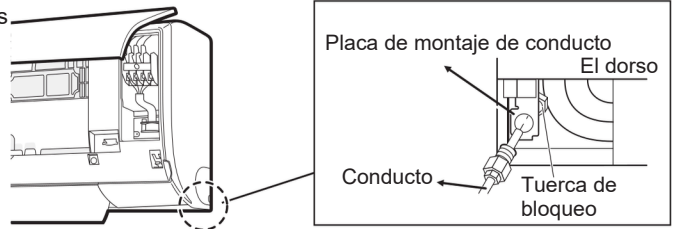
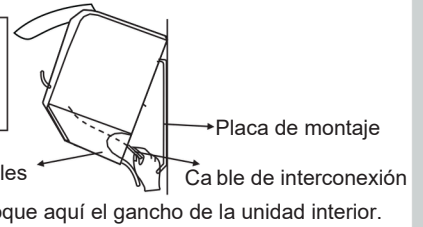
1. Asegúrese de que los tornillos estén bien apretados y de que no haya riesgo de que el cableado se afloje.
2. Verifique que todo el cableado esté bien guardado dentro de la unidad y que no haya riesgo de que los cables sean aplastados por la tapa o de que toquen la placa de control.
3. Compruebe la tapa de la caja de control para verificar si la instalación es apropiada.

Nota:

• Tenga cuidado para asegurarse de que todo el cableado entre la unidad interior y la exterior tenga una conexión consistente. Cualquier empalme o corte puede causar errores de comunicación y fallo en el arranque.

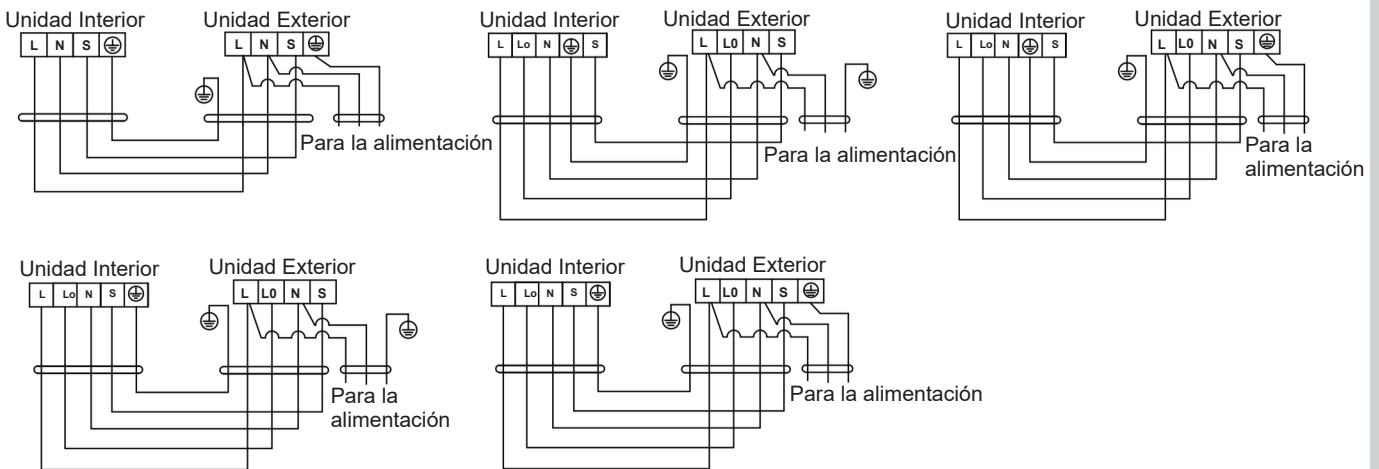
• Se requiere el reemplazo completo de la placa base (PCB) si ocurre una falla del fusible.

Al pelar los extremos de los cables de interconexión con antelación, sujete los extremos correctos de los cables con cinta aislante.

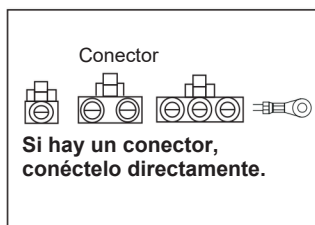
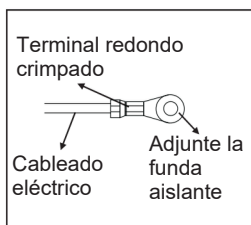


Todos los cables deben estar firmemente conectados.

1. Asegúrese de que ninguno de los cables esté conectado a tierra a la tubería o al compresor. Asegúrese de que no se aplique presión externa a los conectores de los terminales ni a los cables. Asegúrese de que todas las tapas estén adecuadamente fijadas para evitar cualquier hueco. Use conectores de terminales redondos crimpados para conectar los cables al bloque de terminales de alimentación. Conecte los cables emparejando las marcas de indicación en el bloque de terminales. (Consulte el diagrama de cableado adjunto a la unidad)
2. Use el destornillador adecuado para apretar los tornillos terminales. Los destornilladores no apropiados pueden estropear la cabeza de tornillo. Un apriete excesivo puede dañar los tornillos de los terminales.
3. No conecte cables de diferentes calibres al mismo terminal.
4. Mantenga el cableado en una manera ordenada.
5. Evite que el cableado obstruya otras partes y que la tapa del cuadro de terminales se cierre.



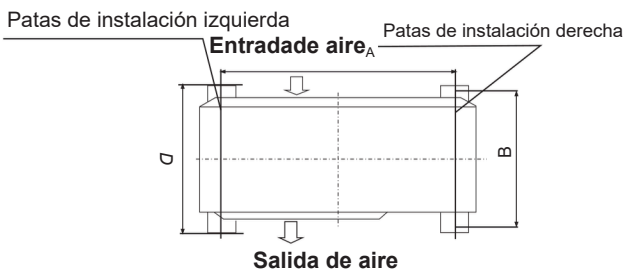
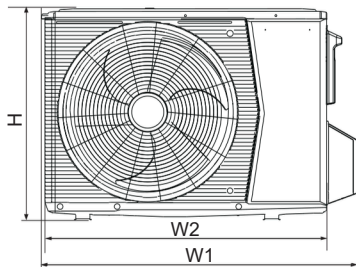
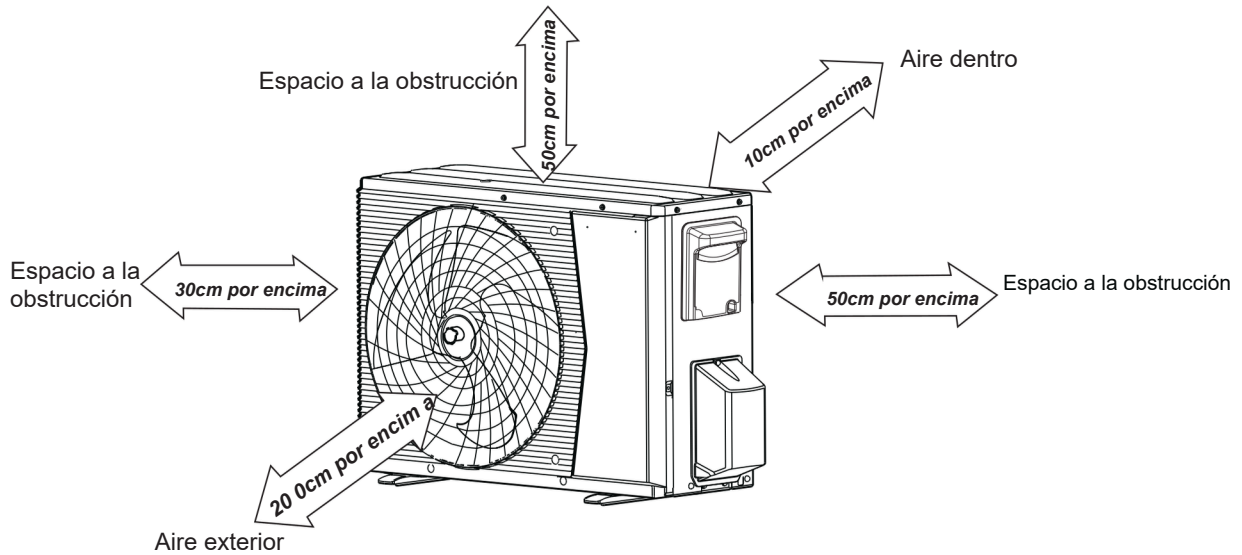
Modo de Cableado Recomendado



Corriente máxima (A)	Diámetro del cableado (mm ²)
< 10	1,0
10 - 16	1,5
16-25	2,5
25 - 32	4,0

Instalación de La Unidad Exterior

Dibujodimensionesdeinstalacióndelaunidad interior



Instalación de la unidad exterior

Tamaño de la unidad exterior de forma W1 (W2)*H*D, mm	A, mm	B, mm
730(651)×456×278	480	253
805(712)×538×309	480	283
880(787)×557×353	546	316
913(827)×657×370	540	334
980(897)×700×388	632	352
1049(975)×803×455	675	390

El lugar donde instale la unidad exterior tendrá un efecto directo sobre su rendimiento.

Para que la unidad exterior funcione de manera óptima, debe seguir cuidadosamente estas instrucciones. En particular, es importante evitar que el aire de descarga regrese a la parte trasera de la unidad. Esto debe evitarse, ya que reducirá significativamente el rendimiento de enfriamiento y calefacción.

1. El aire de descarga que se expulsa desde el frente de la unidad no debe entrar inmediatamente en la entrada de retorno en la parte trasera de la unidad.
2. Asegúrese de que haya suficiente espacio frente a la unidad para ayudar a prevenir que esto ocurra.
3. Asegúrese de que la unidad esté instalada sobre una superficie nivelada y de que haya suficiente espacio superior a 5°.

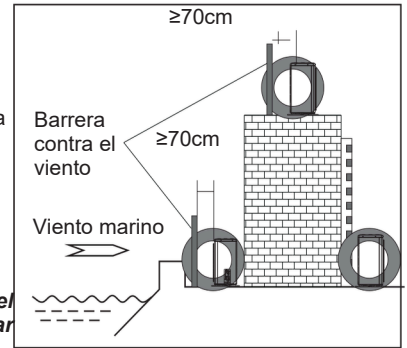
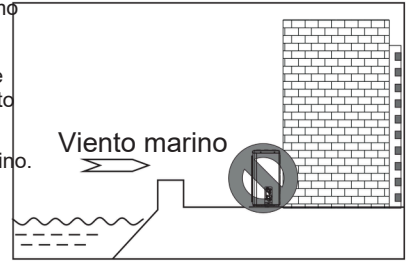
Las siguientes figuras muestran la instalación correcta y la instalación incorrecta:

Instalación incorrecta			
Instalación derecha			

Instalación de La Unidad Exterior

Guía de Instalación a la Costa

- Los aires acondicionados no debe instalarse en áreas donde se produzcan gases corrosivos, como gases ácidos o alcalinos.
- No instale el producto en lugares donde pueda estar expuesto al aire salino directo. La exposición al aire marino puede provocar corrosión en la unidad. La corrosión, especialmente en las aletas del condensador y evaporador, podría causar fallos en el producto, un rendimiento ineficiente y fugas de refrigerante.
- Si la unidad exterior se instala cerca de la costa, debe evitarse la exposición directa al viento marino. De lo contrario, podría requerir un tratamiento adicional contra la corrosión.



Selección de la ubicación correcta (unidad exterior)

1. La barrera contra el viento debe ser lo suficientemente fuerte, como el concreto, para evitar que el viento marino golpee la unidad. La altura y la anchura deben ser superior a 150% de la unidad exterior.
2. Seleccione un lugar bien drenado. Instale la unidad exterior en el lado opuesto a la dirección del viento marino, o coloque una pantalla contra el viento para evitar la exposición al viento marino. Las aplicaciones en la costa requerirán revisiones y limpieza más frecuentes. Asegúrese de mantener el sistema libre de acumulación de sal lavando la unidad con agua limpia a baja presión.
3. La unidad debe mantenerse a más de 70 cm de la barrera contra el viento para un flujo de aire adecuado.

Nota:

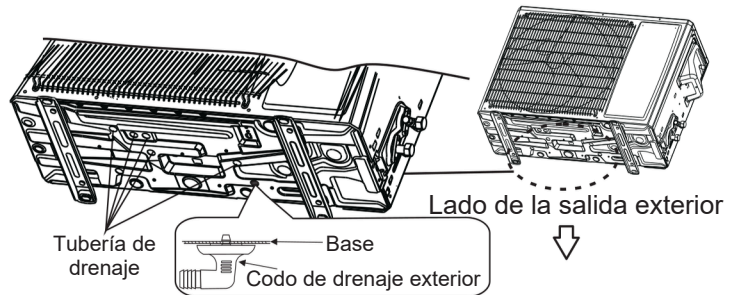
- El soporte de montaje de la unidad exterior debe fijarse con pernos de expansión o según lo recomendado por el fabricante.
- Si se instala en una pared, asegúrese de una instalación segura independientemente del tipo de soporte, para prevenir una posible caída que pueda dañar la unidad o causar lesiones.

Drenaje de condensación exterior (solo para bomba de calor)

Cuando la unidad está en modo de calefacción, la unidad exterior puede generar agua que gotea desde la parte inferior de la unidad. Para controlar el flujo del agua, por favor, utilice el codo de drenaje suministrado.

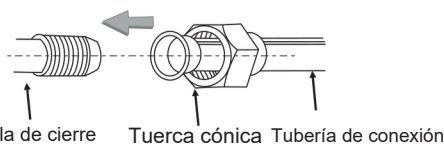
Instalación:

1. Instale el codo de drenaje en el agujero de $\Phi 25$ mm en la parte inferior de la placa base y conecte la manguera de drenaje al codo. Dirija la manguera a un lugar adecuado para que el agua formada en la unidad exterior pueda drenarse correctamente.
2. En zonas frías, no use el codo de drenaje ni los tapones de drenaje en la unidad exterior. Tapar los orificios provocará la acumulación de hielo en la bandeja base, lo que podría causar daños en la unidad. En climas fríos, asegúrese de que la unidad tenga suficiente espacio para drenar y evite los acumulamientos de nieve.



Instale la Tubería de Conexión

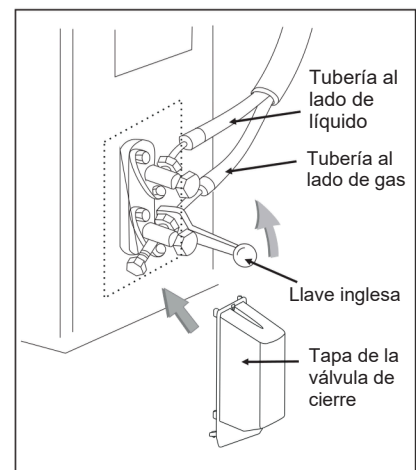
Puede ser necesario añadir refrigerante adicional según la longitud del tubo de refrigerante para garantizar un rendimiento adecuado y prevenir daños en la unidad. El siguiente cuadro muestra los requisitos de refrigerante según la longitud de la tubería.



Longitud de la tubería de conexión	Refrigerante agregado o reducido		Cantidad de refrigerante necesaria para la unidad según la longitud de la tubería
	CC \leq 2000Btu	CC \geq 18000Btu	
< 3M	Reduzca 20g/m	Reduzca 40g/m	\leq 1Kg \leq 2Kg
3-5M	No necesario		
5-15M	Agregue 16g/m	Agregue 24g/m	\leq 1Kg \leq 2Kg

Nota:

1. Los abocardados no se deben reutilizar. Es importante volver a abocardar los tubos cada vez que se retiren y vuelvan a instalar.
2. Después de la instalación, revise la tapa de la válvula de cierre para la apropiada instalación.



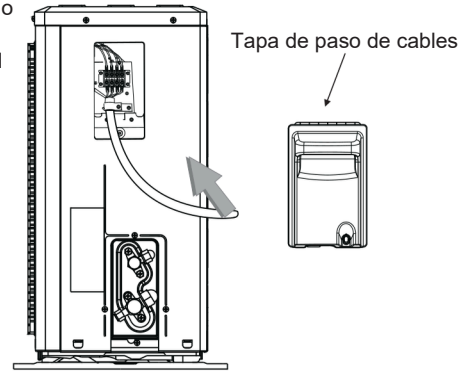
Instalación de La Unidad Exterior

Conexión del cableado

1. Afloje los tornillos y retire la tapa de las partes eléctricas de la unidad.
2. Conecte los cables respectivamente a los terminales correspondientes de la placa de terminales de la unidad exterior (consulte el diagrama de cableado), utilizando conectores tipo anillo.
3. Cable de tierra: Retire el tornillo de tierra del soporte eléctrico, conecte el extremo del cable de tierra al tornillo de tierra y enrosque el tornillo en el orificio de tierra.
4. Fije el cable de manera segura utilizando conectores tipo anillo.
5. Vuelva a colocar la tapa de las partes eléctricas en su lugar original y fjela con los tornillos.

Nota:

- Este manual normalmente incluye el modo de cableado para diferentes tipos de aire acondicionado. No podemos excluir la posibilidad de que no se incluyan algunos tipos especiales de diagramas de cableado
- El diagrama solo sirve para la referencia. Por favor, consulte el diagrama de cableado detallado adherido a la unidad que ha adquirido.



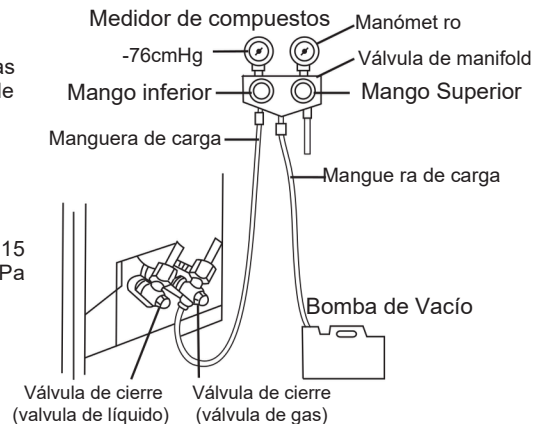
Proceso de vacío

El refrigerante R32 se debe evacuar.

(Se puede utilizar una bomba de vacío para R410A).

Antes de trabajar en el aire acondicionado, retire la tapa de la válvula de cierre (válvulas de gas y líquido; asegúrese de volver a apretarla después para evitar posibles fugas de aire).

1. Para evitar el escape de aire, asegúrese de que todos los abocardados están correctamente conectados y ajustados con el torque adecuado.
2. Conecte la válvula de cierre, la manguera de carga, la válvula del manómetro y la bomba de vacío a la unidad.
3. Abra completamente la válvula del manifold y aplique vacío durante al menos 15 minutos. Luego, verifique que el manómetro de vacío compuesto marque $-0,1\text{MPa}$ (-76 cmHg).
4. Después de aplicar el vacío, abra completamente la válvula de cierre con una llave hexagonal.
5. Compruebe que tanto la conexión interior como la exterior están libres de la fuga de aire.



Prueba e Inspección

Revisión Después de la Instalación

• Revisión de seguridad eléctrica

1. Si el voltaje de alimentación está dentro de la tolerancia.
2. Si las unidades interior y exterior están correctamente cableadas.
3. Si el cable de tierra del aire acondicionado está correctamente conectado a tierra.

• Revisión de seguridad de la instalación

1. Si la unidad está montada correctamente y de manera segura.
2. Si el agua drena correctamente desde la unidad interior hasta el desagüe exterior.
3. Si el cableado y la tubería están correctamente instalados y libres de fugas.
4. Revise que no haya objetos o herramientas extraños quedados dentro de la unidad.
5. Verifique que la tubería de refrigerante y las conexiones estén adecuadamente aisladas.

• Prueba de fugas del refrigerante

Dependiendo del método de instalación, se pueden utilizar los siguientes métodos para verificar posibles fugas en áreas como las conexiones de la unidad exterior y los núcleos de las válvulas de cierre y las válvulas en T:

1. Método de burbujas: Aplique o rocíe una capa uniforme de agua con jabón sobre el área sospechosa de fuga y observe cuidadosamente si se forman burbujas.
2. Método de instrumento: Verificación de fugas apuntando la sonda del detector de fugas, siguiendo las instrucciones, hacia los puntos sospechosos de fuga.

Nota:

Asegúrese de que la ventilación es buena antes de realizar la revisión.

Operación de Prueba

• Preparación para la operación de prueba

1. Verifique que toda la tubería y el cableado estén correctamente conectados.
2. Confirme que las válvulas del lado del gas y del lado líquido estén completamente abiertas.
3. Verifique que la unidad esté encendida.
4. Instale las baterías en el control remoto.

Nota:

Asegúrese de que la ventilación es buena antes de realizar la prueba.

• Métodos para la Operación de Prueba:

1. Encienda el suministro de energía y presione el botón del interruptor ON/OFF del control remoto para encender el aire acondicionado.
2. Seleccione COOL o HEAT, ajuste el SWING y otros modos de operación con el control remoto para verificar el funcionamiento adecuado.

• Atención:

1. Para mantenimiento o desecho, por favor, contacte a los contratistas autorizados.
2. El mantenimiento realizado por personas no calificadas puede causar lesiones o la muerte.
3. Cargue el aire acondicionado solo con refrigerante R32 y mantenga el aire acondicionado estrictamente de acuerdo con los requisitos del fabricante. El capítulo se centra principalmente en los requisitos especiales de mantenimiento para los electrodomésticos con refrigerante R32.
4. Pídale al reparador que lea el manual de servicio técnico postventa para obtener información detallada.

Cuidado y Limpieza

⚠ ADVERTENCIA



- No exponga las conexiones eléctricas o los componentes electrónicos a la humedad, ya que puede causar una descarga eléctrica.

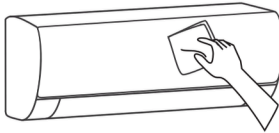
⚠ ADVERTENCIA



- Antes de limpiar el aire acondicionado, la unidad debe estar apagada y la electricidad debe ser cortada durante más de 5 minutos, de lo contrario podría haber riesgo de descarga eléctrica.
- Los líquidos volátiles como el diluyente o la gasolina dañarán el aire acondicionado, por lo que solo se debe limpiar la carcasa con un paño seco y suave o uno ligeramente humedecido con agua.
- Asegúrese de revisar los filtros con regularidad para evitar la acumulación de polvo que puede afectar al rendimiento del aire acondicionado. Si la unidad está instalada en un entorno con más polvo, será necesario aumentar la frecuencia de limpieza. Después de retirar el filtro, no toque la parte de las aletas de la unidad interior con los dedos, ya que podría causar daños a la unidad o lesiones.

Limpieza de Panel

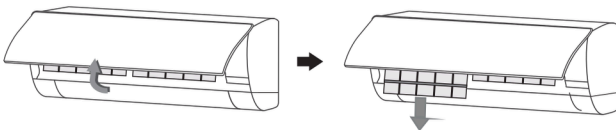
Cuando el panel de la unidad interior esté sucio, límpielo con un paño seco y suave o con un paño ligeramente humedecido con agua.



Limpieza del filtro de aire

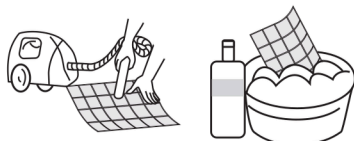
• Retirada del filtro de aire

1. Use ambas manos para abrir la tapa frontal y acceder a los filtros.
2. Suavemente suelte el filtro de aire del soporte y retírelo.



• Limpieza del filtro de aire

Use una aspiradora o agua para limpiar el filtro. Si el filtro está muy sucio (por ejemplo, con suciedad grasosa), límpielo con agua tibia (por debajo de 45°C) y un detergente suave. Coloque el filtro en un área sombreada para que se seque al aire.



• Limpieza o reemplazo de la pantalla del filtro de salud

1. Limpieza: se puede limpiar con el filtro de aire;
2. Reemplazo: retire el filtro del marco filtrante y coloque uno nuevo.

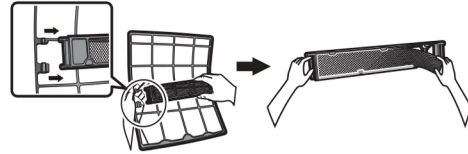
Nota:

No deseche el marco filtrante.

Reutilice el marco filtrante al reemplazar la pantalla del filtro de salud.

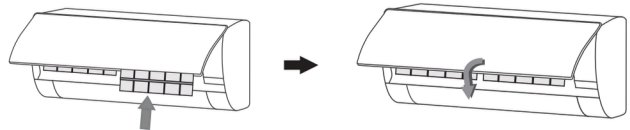
Al colocar el filtro, verifique que esté correctamente ajustado en las pestañas.

Deseche el filtro viejo como desecho no inflamable.



• Montaje del filtro

Vuelva a instalar el filtro seco en orden inverso al de extracción, luego cierre suavemente la cubierta frontal y bloquee el panel.



Revisión antes del Uso

- Asegúrese de que todas las entradas y salidas de aire de las unidades estén desbloqueadas.
- Verifique si la unidad interior drena adecuadamente.
- Verifique que el cable de tierra está bien conectado.
- Verifique si las pilas del control remoto están instaladas y en buen estado de funcionamiento.
- Verifique que la unidad exterior esté firmemente montada y libre de daños.

En caso de que existan problemas, póngase en contacto con nuestro contratista local para que realice una inspección.

Mantenimiento después del uso

1. Apague la fuente de alimentación del aire acondicionado en la unidad exterior.
2. Limpie el panel de la unidad interior y el filtro.
3. Retire el polvo y los escombros de la unidad exterior.
4. Verifique que la unidad exterior esté firmemente montada y libre de daños.

En caso de que existan problemas, póngase en contacto con nuestro contratista local para que realice una inspección.

Solución de problemas

Operación inefectiva

El aire acondicionado no funciona.



- Puede haber cortes de corriente. → Espere hasta que se restablezca la alimentación.
- El enchufe puede estar suelto en la toma de corriente. → Asegure bien el enchufe.
- El fusible del interruptor de encendido puede haber saltado. → Reemplace el fusible.
- Aún no ha llegado la hora para el encendido programado. → Espere o cancele la configuración del temporizador.

El aire acondicionado no funciona tras un encendido inmediato después de apagarlo.



- Si el aire acondicionado se enciende inmediatamente después de apagarlo, el interruptor de retardo de protección retrasará su funcionamiento de 3 a 5 minutos.

El aire acondicionado deja de funcionar después de estar encendido por un tiempo.



- Puede haber alcanzado la temperatura programada. → Es un fenómeno funcional normal.
- Puede estar en estado de descongelación. → Se restaurará y volverá a funcionar automáticamente tras la descongelación.
- El temporizador de apagado puede estar configurado. → Si desea continuar usando, por favor encienda nuevamente.

El aire sale de la unidad interior, pero no se está enfriando ni calentando.



- Exceso de acumulación de polvo en el filtro, obstruyendo la entrada o salida de aire. → Por favor, limpie el filtro y retire los obstáculos en la entrada de aire.
- Las aletas de la rejilla están en un ángulo excesivo, limitando el flujo de aire. → Ajuste la rejilla para que apunten directamente.
- Efecto de refrigeración y calefacción deficiente debido a puertas y ventanas abiertas, y ventilador de escape no cerrado. → Cierre las puertas, ventanas, el ventilador de escape, etc.
- La función de calefacción auxiliar no está activada mientras se calienta, lo que puede provocar un efecto de calefacción deficiente. → Encienda la función de calefacción auxiliar (Solo para modelos con función de calefacción auxiliar)
- El ajuste del modo es incorrecto, y los ajustes de temperatura y velocidad del viento no son apropiados. → Vuelva a seleccionar el modo, y ajuste la temperatura y la velocidad del viento adecuadas.

Olor y ruido anormales

La unidad interior expulsa olores.



- El aire acondicionado en sí no tiene olor desagradable. Si hay olor, podría deberse a la acumulación de este en el entorno. → Limpie el filtro de aire o active la función de limpieza.

Se oye ruido de agua corriente durante el funcionamiento del sistema.



- Al encender o apagar el aire acondicionado, el sistema puede producir un sonido de "silbido" que podría parecerse al ruido del agua corriendo. → Este es el sonido del flujo del refrigerante y no es un mal funcionamiento.

Se oye un ligero "clic" al encender o apagar.



- Debido a los cambios de temperatura, el panel y otras partes se expandirán, lo que causará el sonido de fricción. → Esto es normal, no es un fallo.

La unidad interior emite un sonido anormal.



- Sonido del relé del ventilador o del compresor al encenderse o apagarse.
- Cuando se inicia o detiene la descongelación, se producirá un ruido. → Eso se debe a que el refrigerante fluye en sentido inverso. No son fallos de funcionamiento.
- Una acumulación excesiva de polvo en el filtro de aire de la unidad interior puede provocar una fluctuación del sonido. → Limpie los filtros de aire a tiempo.
- Demasiado ruido de aire al activar el "Viento fuerte". → Esto es normal; si se siente incómodo, desactive la función "Viento fuerte".

Humedad anormal

Hay gotas de agua sobre la superficie de la unidad interior.



- Cuando la humedad ambiental es alta, se acumularán gotas de agua alrededor de la salida de aire o el panel, etc. → Este es un fenómeno físico normal.
- La refrigeración prolongada en espacio abierto produce gotas de agua. → Cierre las puertas y ventanas.
- Un ángulo de apertura demasiado pequeño de las hojas de rejilla también puede resultar en gotas de agua en la entrada de aire.

Durante la refrigeración, la salida de la unidad interior a veces expulsa vaho.



- Cuando la temperatura y la humedad interiores son altas, ocurre a veces. → Esto se debe a que el aire interior se enfría rápidamente. Después de que funcione durante algún tiempo, la temperatura interior y la humedad se reducirán y el vaho desaparecerá.

En los siguientes casos, detenga inmediatamente todas las operaciones y corte el suministro eléctrico, y contacte con nuestro Centro de Servicio Local.

- Se oye algún sonido áspero o se huele algún olor desagradable durante el funcionamiento.
- Se produce un calentamiento anormal en el cable de alimentación y el enchufe.
- La unidad o el control remoto han estado expuestos a cantidades excesivas de agua.
- El disyuntor se dispara continuamente.

Solución de problemas

Solución de problemas

Solución de problemas

Aviso de Mantenimiento

Atención:

Para mantenimiento o desecho, por favor, contacte a los contratistas autorizados.

El mantenimiento realizado por personas no calificadas puede causar lesiones o el daño a la unidad.

Cerise el aire acondicionado solo con refrigerante R32 con los requisitos del fabricante.

Requisitos de cualificación del personal de mantenimiento

1. Se requiere formación especial para trabajar en equipos con refrigerantes A2L. Confíe solo en contratistas calificados para instalar, dar servicio y reparar este sistema.

2. El mantenimiento y la reparación del aire acondicionado deben realizarse según el método recomendado por el fabricante.

Si se necesitan otros profesionales para ayudar en el mantenimiento y reparación del equipo, estos deben trabajar bajo la supervisión de personas que tengan la cualificación para reparar equipos de aire acondicionado con refrigerantes inflamables.

Inspección del Sitio

Se debe realizar una inspección de seguridad antes de mantener equipos con refrigerante R32 para garantizar que se minimice el riesgo de incendio.

Revise si el espacio está bien ventilado y si se requiere el equipo antiestático o de prevención de incendios. Al mantener el sistema de refrigeración, observe las siguientes precauciones antes de operar el sistema.

Procedimientos de Operación

1. Área de trabajo general

Todo el personal de mantenimiento y las demás personas que trabajen en el área local deben ser informados sobre la naturaleza del trabajo que se está realizando. Se debe evitar trabajar en espacios confinados. El área alrededor del espacio de trabajo debe ser delimitada. Asegúrese de que las condiciones dentro del área sean seguras mediante el control de materiales inflamables.

2. Comprobación de la presencia de refrigerante:

El área debe ser comprobada con un detector de refrigerante adecuado antes y durante el trabajo, para garantizar que el técnico esté al tanto de posibles atmósferas tóxicas o inflamables.

Asegúrese de que el equipo de detección de fugas utilizado sea adecuado para todos los refrigerantes aplicables, es decir, que no produzca chispas, esté adecuadamente sellado o sea intrínsecamente seguro.

3. Presencia de extintor de incendios:

Si se va a realizar algún trabajo en caliente en el equipo de refrigeración o en sus partes asociadas, deberá haber equipo adecuado de extinción de incendios disponible y a mano. Tenga un extintor de polvo seco o CO2 cerca del área de carga.

4. Fuentes de no ignición:

Ninguna persona que realice trabajos relacionados con un sistema de refrigeración que implique la exposición de tuberías deberá utilizar fuentes de ignición de manera que puedan generar un riesgo de incendio o explosión. Todas las posibles fuentes de ignición, incluido el consumo de cigarrillos, deben mantenerse a una distancia suficientemente alejada del sitio de instalación, reparación, retirada y disposición, durante los cuales el refrigerante pueda ser liberado al espacio circundante. Antes de que se realice el trabajo, se debe inspeccionar el área alrededor del equipo para asegurarse de que no haya riesgos de materiales inflamables o de ignición. Se deben exhibir carteles de "Prohibido fumar".

5. Área Ventilado (abra la puerta y la ventana)

Asegúrese de que el área esté al aire libre o que esté adecuadamente ventilada antes de abrir el sistema o realizar cualquier trabajo en caliente. Se debe mantener un grado de ventilación durante todo el periodo en que se realice el trabajo. La ventilación debe dispersar de manera segura cualquier refrigerante liberado y, preferiblemente, expulsarlo al exterior hacia la atmósfera.

6. Revisiones del equipo de refrigerante:

Cuando se cambien componentes eléctricos, estos deberán ser adecuados para el propósito y cumplir con las especificaciones correctas. En todo momento, se deben seguir las directrices de mantenimiento y servicio del fabricante. Si tiene duda alguna, consulte el departamento técnico del fabricante para su asistencia. Se deben aplicar las siguientes verificaciones a las instalaciones que utilicen refrigerantes inflamables:

- El tamaño de la carga está de acuerdo con el tamaño de la habitación en la que se encuentran instaladas las partes que contienen refrigerante.
- La maquinaria de ventilación y las salidas están funcionando adecuadamente y no están obstruidas.
- Si se está utilizando un circuito de refrigeración indirecto, se debe verificar el circuito secundario para comprobar la presencia de refrigerante.
- Las tuberías o componentes de refrigeración deben instalarse en una posición donde sea poco probable que se expongan a sustancias que puedan corroer los componentes que contienen refrigerante, a menos que los componentes estén fabricados con materiales inherentemente resistentes a la corrosión o estén adecuadamente protegidos contra ella.

7. Verificaciones de los dispositivos eléctricos:

La reparación y mantenimiento de los componentes eléctricos debe incluir las revisiones iniciales de seguridad y procedimientos de inspección de componentes.

Si existe una falla que pueda comprometer la seguridad, no se debe conectar el suministro eléctrico al circuito hasta que se haya resuelto de manera satisfactoria. Si la falla no puede corregirse de inmediato, pero es necesario continuar con la operación, se deberá utilizar una solución temporal adecuada. Esto se debe reportar al propietario del equipo para que todas partes estén informadas. Revisiones iniciales de seguridad deben incluir:

- Los condensadores deben descargarse: esto debe hacerse de manera segura para evitar la posibilidad de chispas.
- Que no haya componentes eléctricos vivos ni cables expuestos mientras se carga, recupera o purga el sistema.
- Mantenga la continuidad de la puesta a tierra.

Inspección de Cable

Revise el cable en busca de desgaste, corrosión, sobrevoltaje, vibración y verifique si hay bordes afilados u otros efectos adversos en el entorno circundante. Durante la inspección, se debe tener en cuenta el impacto del envejecimiento o de la vibración continua del compresor y del ventilador sobre él.

Revisión de Fuga del Refrigerante R32

Nota: Revise la fuga del refrigerante en un entorno donde no haya fuente potencial de ignición. No se debe usar una sonda halógena (o cualquier otro detector que utilice una llama abierta).

Método de detección de fuga:

Para los sistemas con refrigerante R32, se dispone de un instrumento electrónico de detección de fugas, y la detección de fugas no debe realizarse en un entorno con refrigerante. Asegúrese de que el detector

de fugas es potencial de ignición y que es aplicable para el refrigerante medido. El detector de fugas debe ajustarse para la concentración mínima de combustible inflamable (porcentaje) del refrigerante. Calibre y ajuste a la concentración apropiada de gas (no más de 25%) con el refrigerante utilizado. El fluido utilizado en la detección de fugas es aplicable para la mayoría de los refrigerantes. Pero no se deben usar disolventes a base de cloruro para evitar la reacción entre el cloro y los refrigerantes, así como la corrosión de las tuberías de cobre.

Aviso de Mantenimiento

Si sospechade unafuga, retiretodo el fuegodel área oapagueel fuego. Si es necesario soldar el área donde se encuentra la fuga, se debe recuperar todo el refrigerante o aislar todo el refrigerante del sitio de la fuga (utilizando una válvula de corte). Antes de y durante la soldadura, use OFN para purificar el sistema entero.

Eliminación y Bombeo al Vacío

1. Asegúrese de que no haya fuentes de fuego encendidas cerca de la salida de la bomba de vacío y de que la ventilación sea adecuada.

2. Se permite que el mantenimiento y otras operaciones del circuito de refrigeración se realicen de acuerdo con el procedimiento general, pero las siguientes mejores operaciones, en las que ya se ha considerado la inflamabilidad, son clave. Debe seguir los siguientes procedimientos:

- Retire el refrigerante.
- Descontamine la tubería con gases inertes.
- Evacuación.
- Vuelva a descontaminar la tubería con gases inertes.
- Corte o suelde la tubería

3. El refrigerante debe ser devuelto al tanque de almacenamiento adecuado. El sistema debe ser soplado con nitrógeno libre de oxígeno para garantizar la seguridad. Este proceso puede necesitar repetirse varias veces. Esta operación no debe realizarse utilizando aire comprimido u oxígeno.

4. A través del proceso de soplado, el sistema se carga con nitrógeno anaeróbico para alcanzar la presión de trabajo en estado de vacío, luego el nitrógeno libre de oxígeno se emite a la atmósfera y, finalmente, se realiza el bombeo al vacío del sistema. Repita este proceso hasta que todos los refrigerantes del sistema sean eliminados. Después de la última carga de nitrógeno anaeróbico, libere el gas a la presión atmosférica y, luego, el sistema podrá ser soldado. Esta operación es necesaria para soldar la tubería.

Procedimientos para la Carga de Refrigerantes:

Como complemento al procedimiento general, se deben agregar los siguientes requisitos:

- Asegúrese de que no haya contaminación entre diferentes refrigerantes al utilizar un dispositivo de carga de refrigerante. La tubería para cargar los refrigerantes debe ser lo más corta posible para reducir el residuo de refrigerante en la misma.
- Los tanques de almacenamiento deben mantenerse en posición vertical.
- Asegúrese de que se hayan tomado las soluciones de puesta a tierra antes de cargar el sistema de refrigeración con refrigerantes.
- Después de terminar la carga (o cuando aún no se haya terminado), etiquete la marca en el sistema.
- Tenga cuidado de no sobrecargar los refrigerantes

Desecho y Recuperación

Desecho:

Antes de este procedimiento, el personal técnico debe estar completamente familiarizado con el equipo y todas sus características, y establecer una práctica recomendada para la recuperación segura del refrigerante. Para el reciclaje del refrigerante, se deben analizar las muestras de refrigerante y aceite antes de la operación. Asegúrese de la energía requerida antes de la prueba.

1. Familiarícese con el equipo y la operación.
2. Desconecte el suministro de energía.
3. Antes de realizar este proceso, debe asegurarse de que:

- Si es necesario, el funcionamiento del equipo mecánico debe facilitar la operación del tanque de refrigerante.
- Todo el equipo de protección personal es efectivo y puede ser utilizado correctamente.
- Todo el proceso de recuperación debe llevarse a cabo bajo la supervisión de personal calificado.
- La recuperación del equipo y del tanque de almacenamiento debe

cumplir con las normativas nacionales pertinentes.

4. Si es posible, el sistema de refrigeración debe ser sometido a vacío.
5. Si no se puede alcanzar el estado de vacío, debe extraer el refrigerante de cada parte del sistema desde varios puntos.
6. Antes de iniciar la recuperación, debe asegurarse de que la capacidad del tanque de almacenamiento sea suficiente.
7. Inicie y opere el equipo de recuperación de acuerdo con las instrucciones del fabricante.
8. No llene el tanque a su máxima capacidad (el volumen de inyección de líquido no debe superar el 80% del volumen del tanque).
9. Aunque la duración sea breve, no debe exceder la presión máxima de trabajo del tanque.
10. Después de completar el llenado del tanque y al finalizar el proceso de operación, debe asegurarse de que los tanques y equipos sean retirados rápidamente y de que todas las válvulas de cierre en el equipo estén cerradas.
11. No se permite inyectar los refrigerantes recuperados en otro sistema antes de que sean purificados y probados.

Nota: La identificación debe realizarse después de que el electrodoméstico sea desechado y los refrigerantes sean evacuados.

La identificación debe contener la fecha y la firma de aprobación. Asegúrese de que la identificación en el electrodoméstico refleje los refrigerantes inflamables contenidos en él.

Recuperación:

1. Se requiere la evacuación de los refrigerantes en el sistema cuando se repare o desmantele el electrodoméstico. Se recomienda eliminar completamente el refrigerante.

2. Solo se puede utilizar un tanque especial de refrigerante al cargar el refrigerante en el tanque de almacenamiento. Asegúrese de que la capacidad del tanque es apropiada para la cantidad de inyección del refrigerante en el sistema entero. Todos los tanques destinados para la recuperación de refrigerantes deben tener una identificación del refrigerante (es decir, tanque de recuperación de refrigerante).

Los tanques de almacenamiento deben estar equipados con válvulas de alivio de presión y válvulas de globo, y deben encontrarse en buen estado.

Si es posible, los tanques vacíos deben ser evacuados y mantenidos a temperatura ambiente antes de su uso.

3. El equipo de recuperación debe mantenerse en buen estado de funcionamiento y estar equipado con las instrucciones de operación del equipo para un acceso fácil. El equipo debe ser adecuado para la recuperación de los refrigerantes R32.

Además, debe haber un aparato de pesaje calificado que pueda usarse con normalidad.

La manguera debe estar conectada con un acoplador desmontable de tasa de fuga nula y debe mantenerse en buen estado.

Antes de utilizar el equipo de recuperación, verifique si se encuentra en buen estado y si ha recibido un mantenimiento adecuado.

Verifique si todos los componentes eléctricos están sellados para prevenir la fuga de refrigerante y el posible incendio causado por ello.

Si tiene cualquiera pregunta, por favor, consulte el fabricante.

4. El refrigerante recuperado deberá ser cargado en los tanques de almacenamiento apropiados, con una instrucción de transporte adjunta, y devuelto al fabricante de refrigerantes. No mezcle refrigerantes en el equipo de recuperación, especialmente en un tanque de almacenamiento.

5. El espacio de carga del refrigerante R32 no puede ser cerrado durante el proceso de transporte. Tome medidas contra la electricidad estática si es necesario durante el transporte. Durante el proceso de transporte, carga y descarga, deben tomarse las medidas protectoras necesarias para proteger el aire acondicionado y asegurar que no se dañe.

6. Al retirar el compresor o vaciar el aceite del compresor, asegúrese de que el compresor sea bombeado a un nivel adecuado para garantizar que no queden refrigerantes R32 residuales en el aceite lubricante. La evacuación al vacío debe realizarse antes de devolver el compresor al proveedor. Asegúrese de la seguridad cuando descargue el aceite del sistema.

INTERRUPCIÓN, DESMONTAJE Y ELIMINACIÓN

Este producto contiene refrigerante a presión, piezas giratorias y conexiones eléctricas que pueden suponer un peligro y causar lesiones. Todo el trabajo debe ser realizado únicamente por personas competentes utilizando ropa protectora adecuada y tomando precauciones de seguridad.



Leer el manual



Riesgo de descarga eléctrica

RoHS



La unidad se controla a distancia y puede ponerse en marcha sin previo aviso.



1. Aísle todas las fuentes de suministro eléctrico a la unidad, incluyendo cualquier sistema de control que la unidad pueda activar.
Asegúrese de que todos los puntos de aislamiento eléctrico y de gas estén asegurados en la posición OFF.
Luego, se pueden desconectar y retirar los cables de alimentación y las tuberías de gas.
Para los puntos de conexión, consulte las instrucciones de instalación de la unidad.
2. Retire todo el refrigerante de cada sistema de la unidad en un recipiente adecuado utilizando una unidad de recuperación de refrigerante.
Este refrigerante puede ser reutilizado, si procede, o devuelto al fabricante para su eliminación.
En ningún caso se debe purgar el refrigerante al aire. Cuando proceda, drene el aceite refrigerante de cada sistema en un recipiente adecuado y deséchelo de acuerdo con las leyes y regulaciones locales que rigen la disposición de residuos oleosos.
3. Como se ha mencionado anteriormente, las unidades envasadas generalmente pueden ser retiradas en una sola pieza después de la desconexión.
Cualquier perno de fijación debe ser removido y luego la unidad debe ser levantada de su posición utilizando los puntos proporcionados y un equipo con capacidad de elevación adecuada.
Es **IMPRESINDIBLE** consultar las instrucciones de instalación de la unidad para conocer el peso y los métodos correctos de elevación.
Tenga en cuenta que cualquier aceite refrigerante residual o derramado debe ser limpiado y desechado como se describió anteriormente.
4. Después de la retirada de la posición, las piezas de la unidad pueden ser desechadas de acuerdo con las leyes y regulaciones locales.
5. Significado del cubo de basura con ruedas tachado: No deseche los electrodomésticos como residuos municipales no clasificados, utilice instalaciones de recolección separada.
Póngase en contacto con la administración local para obtener información sobre los sistemas de recogida disponibles. Si los electrodomésticos se desechan en vertederos o basureros, las sustancias peligrosas pueden filtrarse en el agua subterránea y llegar a la cadena alimentaria, dañando su salud y bienestar. Al reemplazar los aparatos viejos por nuevos, el minorista tiene la obligación legal de retirar su aparato viejo para su eliminación, al menos sin costo alguno.



HECHO EN CHINA